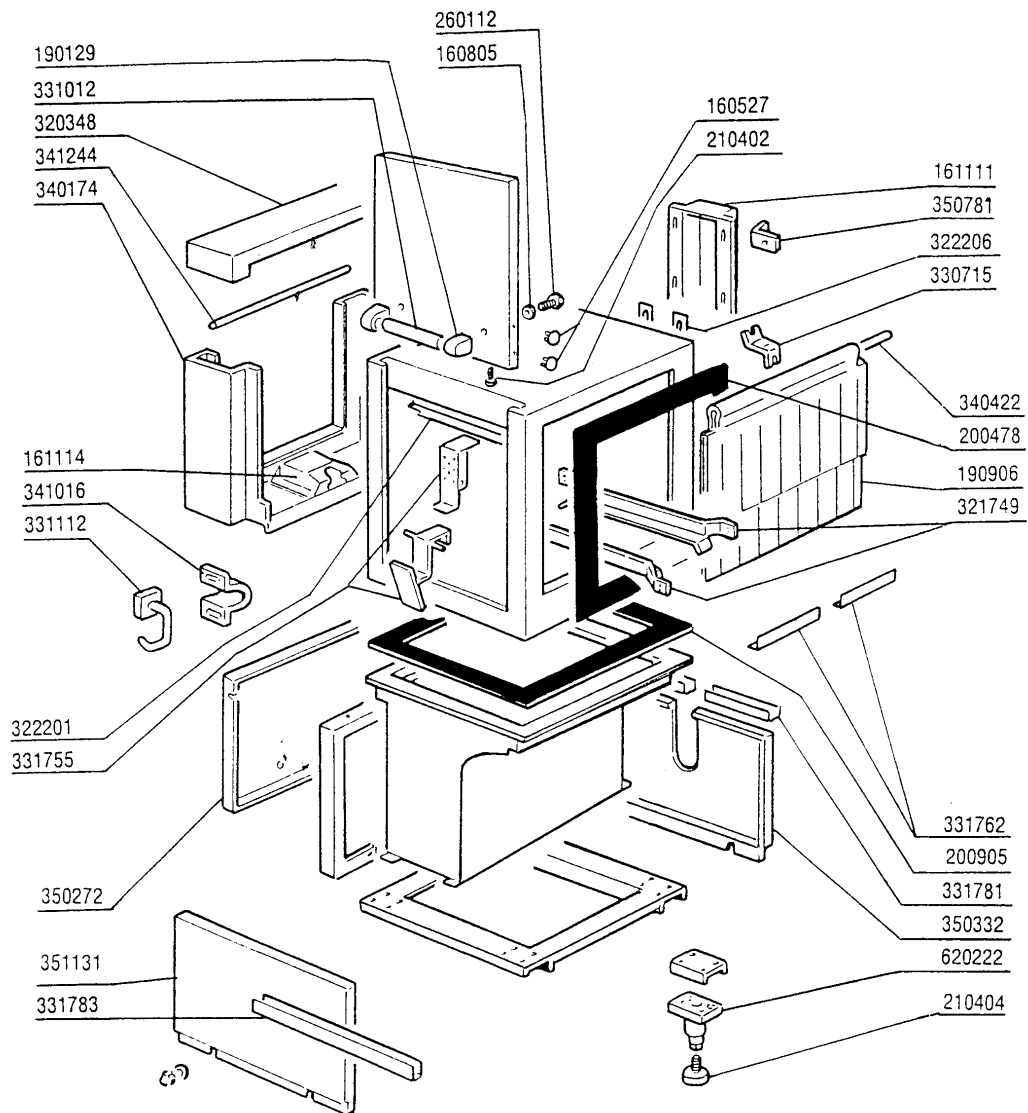


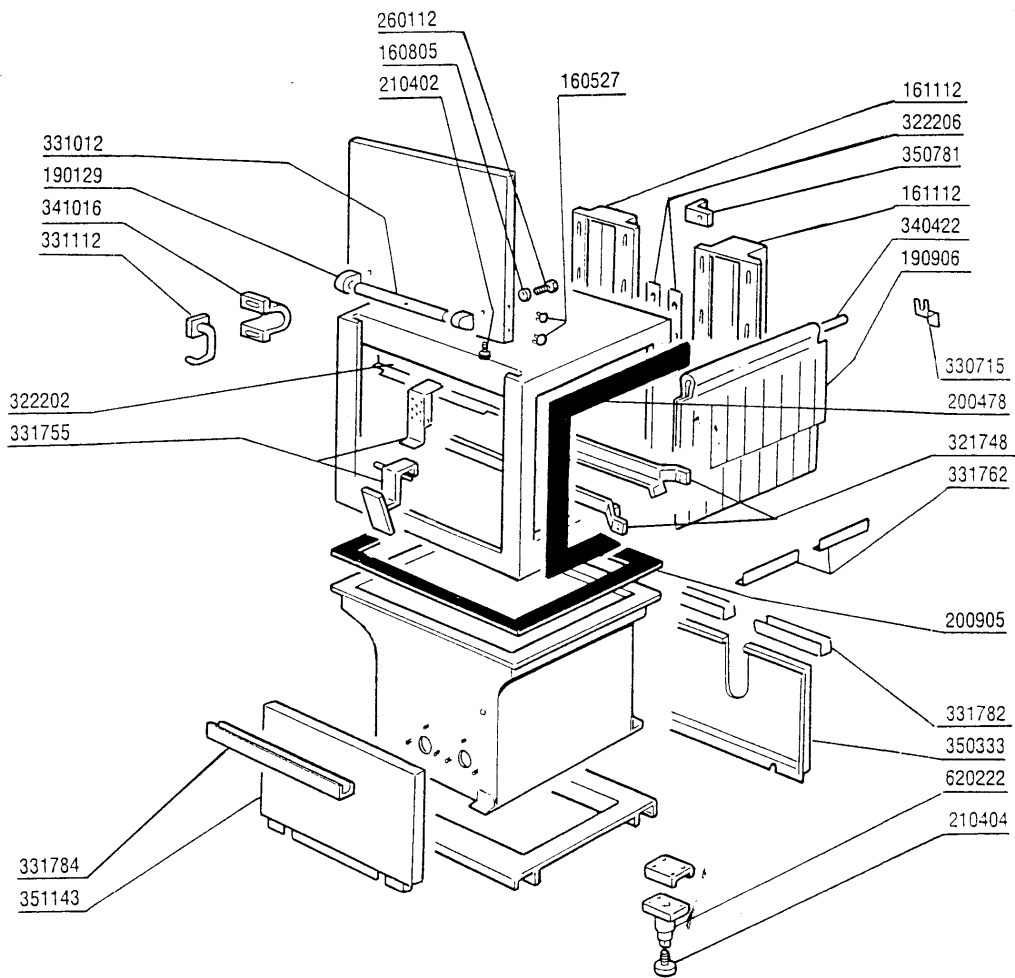
2 - Prewash Hood 600mm



2 - Prewash Hood 600mm

| CODE | DESCRIPTION |
|--------|--------------------------------|
| 160527 | PLUG 14,5X2X8 |
| 160805 | GASKET D.8 |
| 161111 | BACK COVER CHANNEL 130 N S2900 |
| 161114 | END COVER OF PAWL BAR S3-S2900 |
| 190129 | HANDLE SUPPORT SE NE GREY |
| 190906 | CURTAIN IN/OUT 620X480 |
| 200478 | SELF-ADHESIVE GASKET 65X4 |
| 200905 | SELFADHESIVE GASKET 4X35 |
| 210402 | PAD FOR DOOR 15-149 |
| 210404 | BLACK RUBBER FOOT S90 NE SE |
| 260112 | STAINLESS STEEL TE-SCREW 8X16 |
| 320348 | BASE TOP FOR SPLASH HOOD |
| 321749 | GUIDE |
| 322201 | . |
| 322206 | HOOD REENFORCER |
| 330715 | UPPER BRACKET CURTAIN SNL-SE |
| 331012 | HANDLE 412 MM DOOR SE NE G115 |
| 331112 | HOOK (331116) |
| 331755 | HOOK FOR DOOR SUPPORT |
| 331762 | BRACKET SPLASH GUARD |
| 331781 | PANEL SUPPORT 88MM |
| 331783 | PANEL SUPPORT 475MM |
| 340174 | HOOD |
| 340422 | SHAFT FOR CURTAIN AC-ACR |
| 341016 | BRACKET FOR DOOR SECURITY HOOK |
| 341244 | LEVER |
| 350272 | PANEL |
| 350332 | PREWASH PANEL |
| 350781 | BRACKET |
| 351131 | PANEL |
| 620222 | COMPLETE ALUMINIUM LEGS |

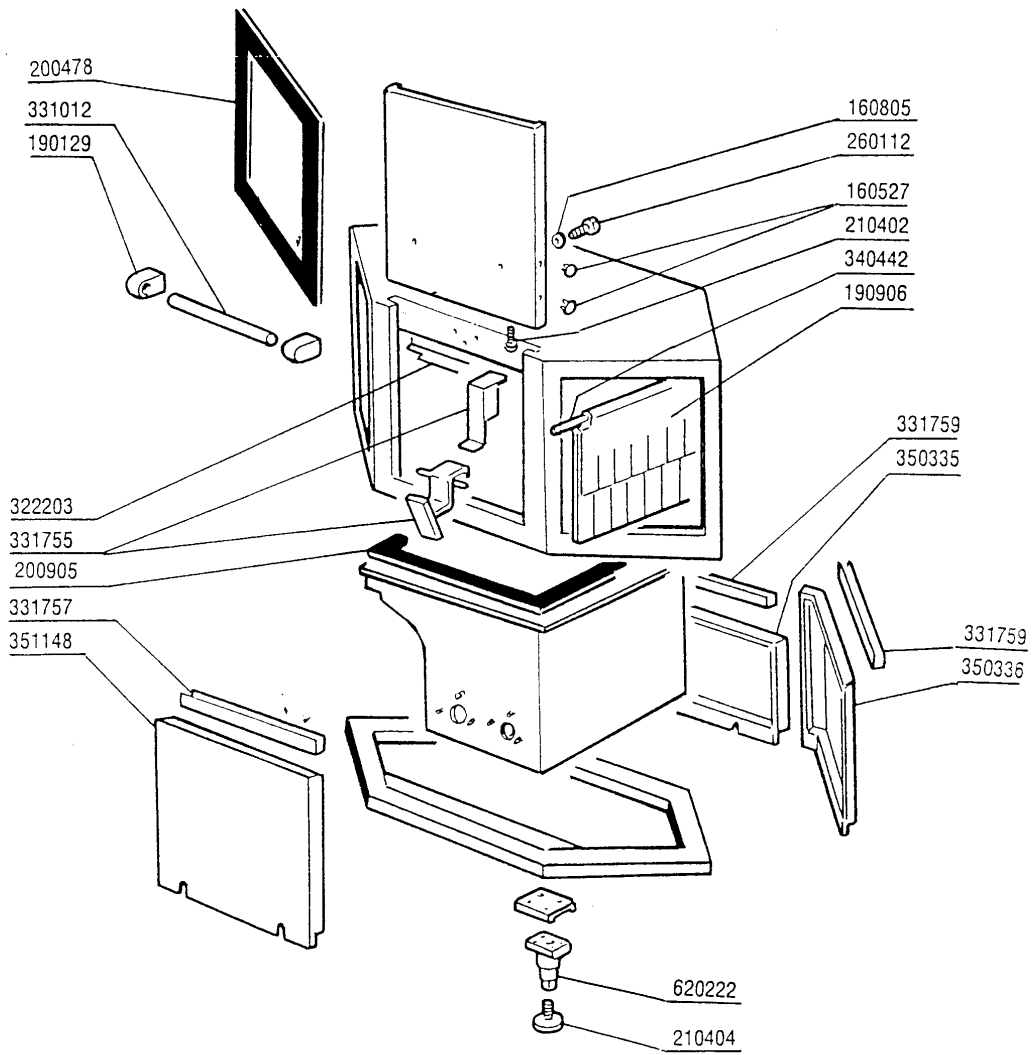
3 - Wash Hood 900mm



3 - Wash Hood 900mm

| CODE | DESCRIPTION |
|-------------|-------------------------------|
| 160527 | PLUG 14,5X2X8 |
| 160805 | GASKET D.8 |
| 161112 | BACK COVER CHANNEL 300 S N |
| 190129 | HANDLE SUPPORT SE NE GREY |
| 190906 | CURTAIN IN/OUT 620X480 |
| 200478 | SELF-ADHESIVE GASKET 65X4 |
| 200905 | SELFADHESIVE GASKET 4X35 |
| 210402 | PAD FOR DOOR 15-149 |
| 210404 | BLACK RUBBER FOOT S90 NE SE |
| 260112 | STAINLESS STEEL TE-SCREW 8X16 |
| 321748 | GUIDE |
| 322202 | . |
| 322206 | HOOD REENFORCER |
| 330715 | UPPER BRACKET CURTAIN SNL-SE |
| 331012 | HANDLE 412 MM DOOR SE NE G115 |
| 331112 | HOOK (331116) |
| 331755 | HOOK FOR DOOR SUPPORT |
| 331762 | BRACKET SPLASH GUARD |
| 331782 | PANEL SUPPORT 237MM |
| 331784 | PANEL SUPPORT 775MM |
| 340422 | SHAFT FOR CURTAIN AC-ACR |
| 341016 | BRAKET FOR DOOR SECURITY HOOK |
| 350333 | WASH PANEL |
| 350781 | BRACKET |
| 351143 | FRONT PANEL WASH ACR |
| 620222 | COMPLETE ALUMINIUM LEGS |

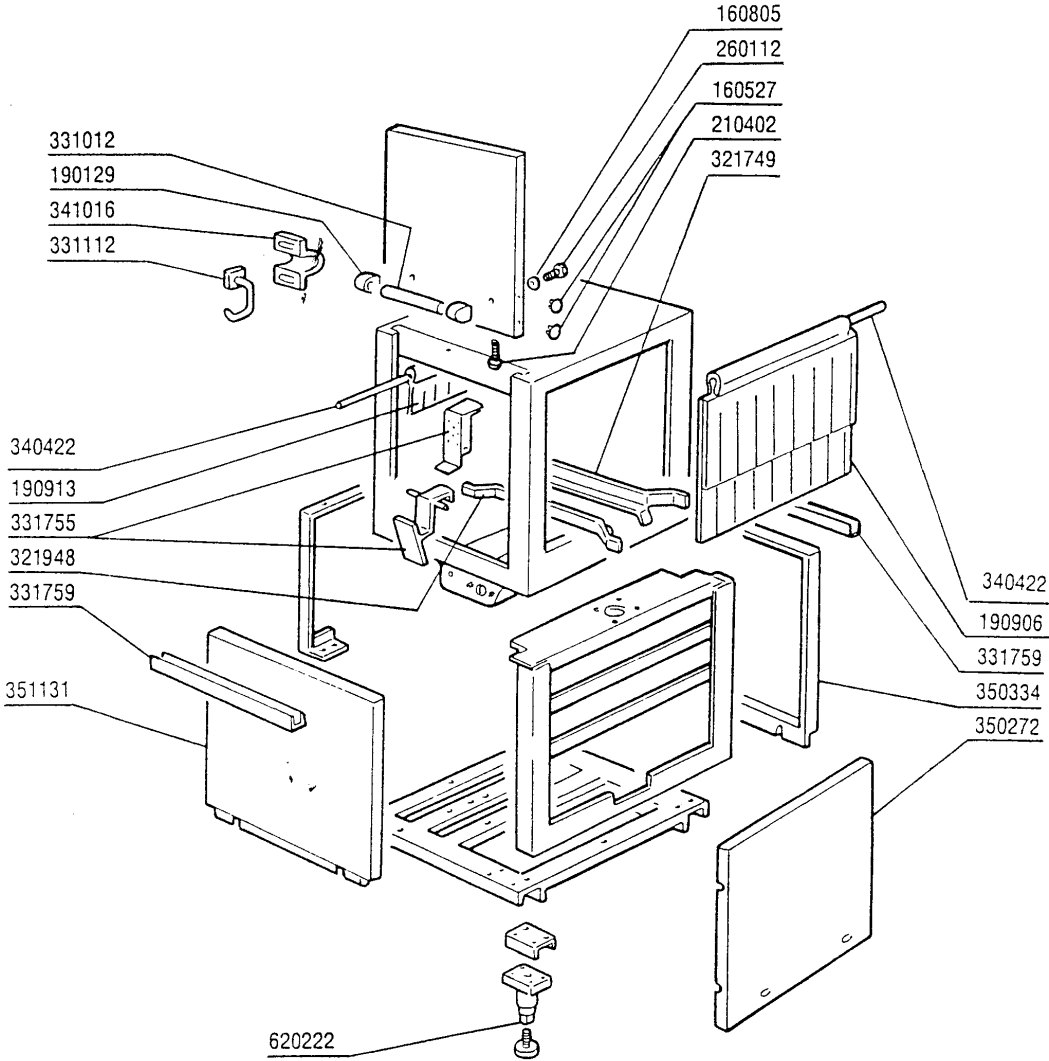
4 - Corner Wash Hood



4 - Corner Wash Hood

| CODE | DESCRIPTION |
|--------|--------------------------------|
| 160527 | PLUG 14,5X2X8 |
| 160805 | GASKET D.8 |
| 190129 | HANDLE SUPPORT SE NE GREY |
| 190906 | CURTAIN IN/OUT 620X480 |
| 200478 | SELF-ADHESIVE GASKET 65X4 |
| 200905 | SELFADHESIVE GASKET 4X35 |
| 210402 | PAD FOR DOOR 15-149 |
| 210404 | BLACK RUBBER FOOT S90 NE SE |
| 260112 | STAINLESS STEEL TE-SCREW 8X16 |
| 322203 | HOOD |
| 331012 | HANDLE 412 MM DOOR SE NE G115 |
| 331755 | HOOK FOR DOOR SUPPORT |
| 331757 | DRYER PANEL SUPPORT |
| 331759 | SUPPORT |
| 340442 | SHAFT D.8 FOR CURTAIN |
| 350335 | PANEL |
| 350336 | PANEL |
| 351148 | FRONT PANEL FOR ACR CORNER WAS |
| 620222 | COMPLETE ALUMINIUM LEGS |

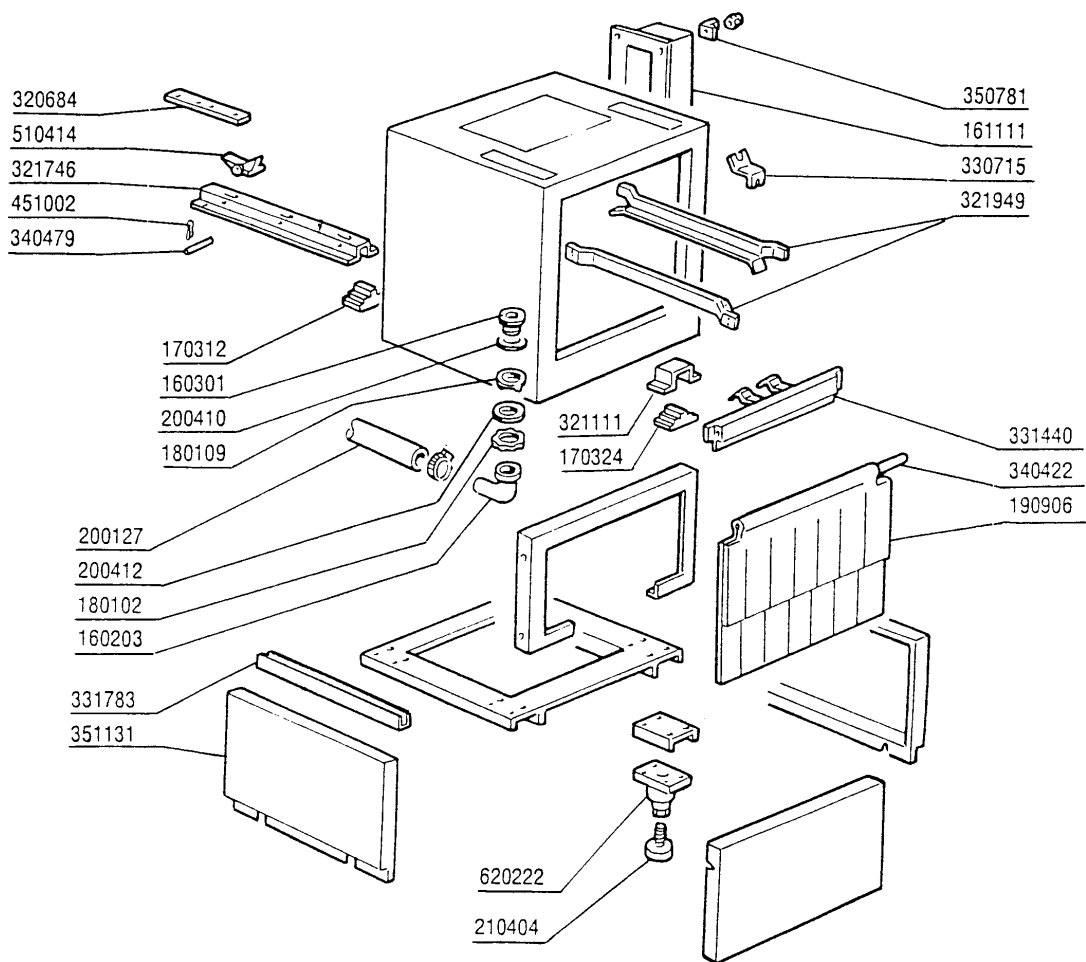
5 - Ecorinse Hood



5 - Ecorinse Hood

| CODE | DESCRIPTION |
|--------|--------------------------------|
| 160527 | PLUG 14,5X2X8 |
| 160805 | GASKET D.8 |
| 190129 | HANDLE SUPPORT SE NE GREY |
| 190906 | CURTAIN IN/OUT 620X480 |
| 190913 | CURTAIN FOR ECORINSE SE-620X27 |
| 210402 | PAD FOR DOOR 15-149 |
| 260112 | STAINLESS STEEL TE-SCREW 8X16 |
| 321749 | GUIDE |
| 321948 | GUIDE |
| 331012 | HANDLE 412 MM DOOR SE NE G115 |
| 331112 | HOOK (331116) |
| 331755 | HOOK FOR DOOR SUPPORT |
| 331759 | SUPPORT |
| 340422 | SHAFT FOR CURTAIN AC-ACR |
| 341016 | BRAKET FOR DOOR SECURITY HOOK |
| 350272 | PANEL |
| 350334 | ECORINSE PANEL |
| 351131 | PANEL |
| 620222 | COMPLETE ALUMINIUM LEGS |

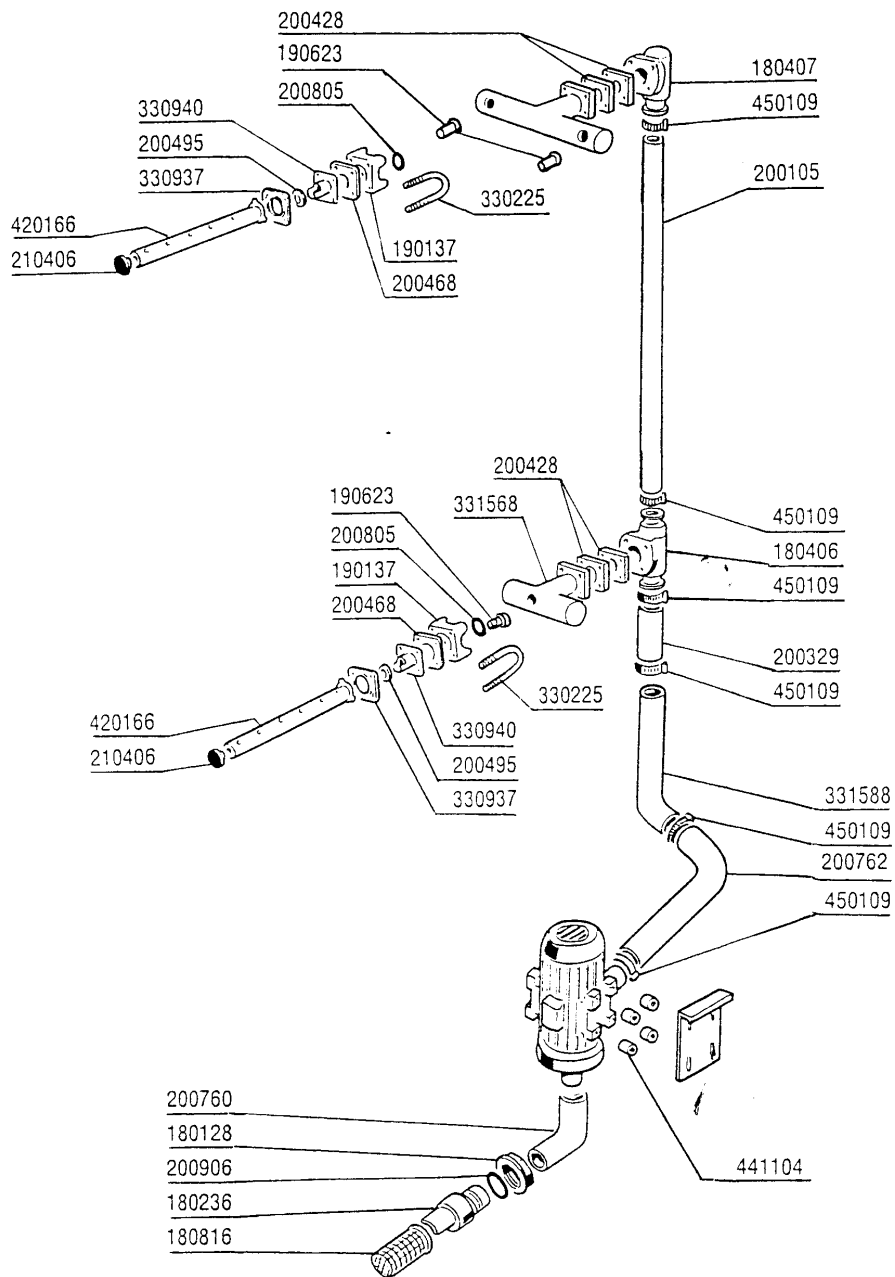
6 - Blower Dryer hood



6 - Blower Dryer hood

| CODE | DESCRIPTION |
|--------|--------------------------------|
| 160203 | ELBOW 1"1/2 N-S-F-C /DRAIN |
| 160301 | DRAIN OUTLET 1"1/2 C-S-N |
| 161111 | BACK COVER CHANNEL 130 N S2900 |
| 170312 | SUPPORT F.PAWL BAR GUIDE S90- |
| 170324 | GUIDE SUPPORT SE-S2200-290 |
| 180102 | DRAIN PIPE NUT 1"1/2 F45-55 |
| 180109 | LOCK NUT 1 1/2" |
| 190906 | CURTAIN IN/OUT 620X480 |
| 200127 | PVC HOSE D.35 |
| 200410 | DRAIN OUTL.WASH.1 1/2"65X47X2 |
| 200412 | GASKET DRAIN 11/2" 45X33X3 |
| 210404 | BLACK RUBBER FOOT S90 NE SE |
| 320684 | BRACKET |
| 321111 | COVER |
| 321746 | GUIDE |
| 321949 | GUIDE |
| 330715 | UPPER BRACKET CURTAIN SNL-SE |
| 331440 | PANEL |
| 331783 | PANEL SUPPORT 475MM |
| 340422 | SHAFT FOR CURTAIN AC-ACR |
| 340479 | PAWL PINS SNL-SE |
| 350781 | BRACKET |
| 351131 | PANEL |
| 451002 | COTTER PIN STAINL.ST. D2X12 |
| 510414 | NICKEL-PLATED PAWL SNL-SE |
| 620222 | COMPLETE ALUMINIUM LEGS |

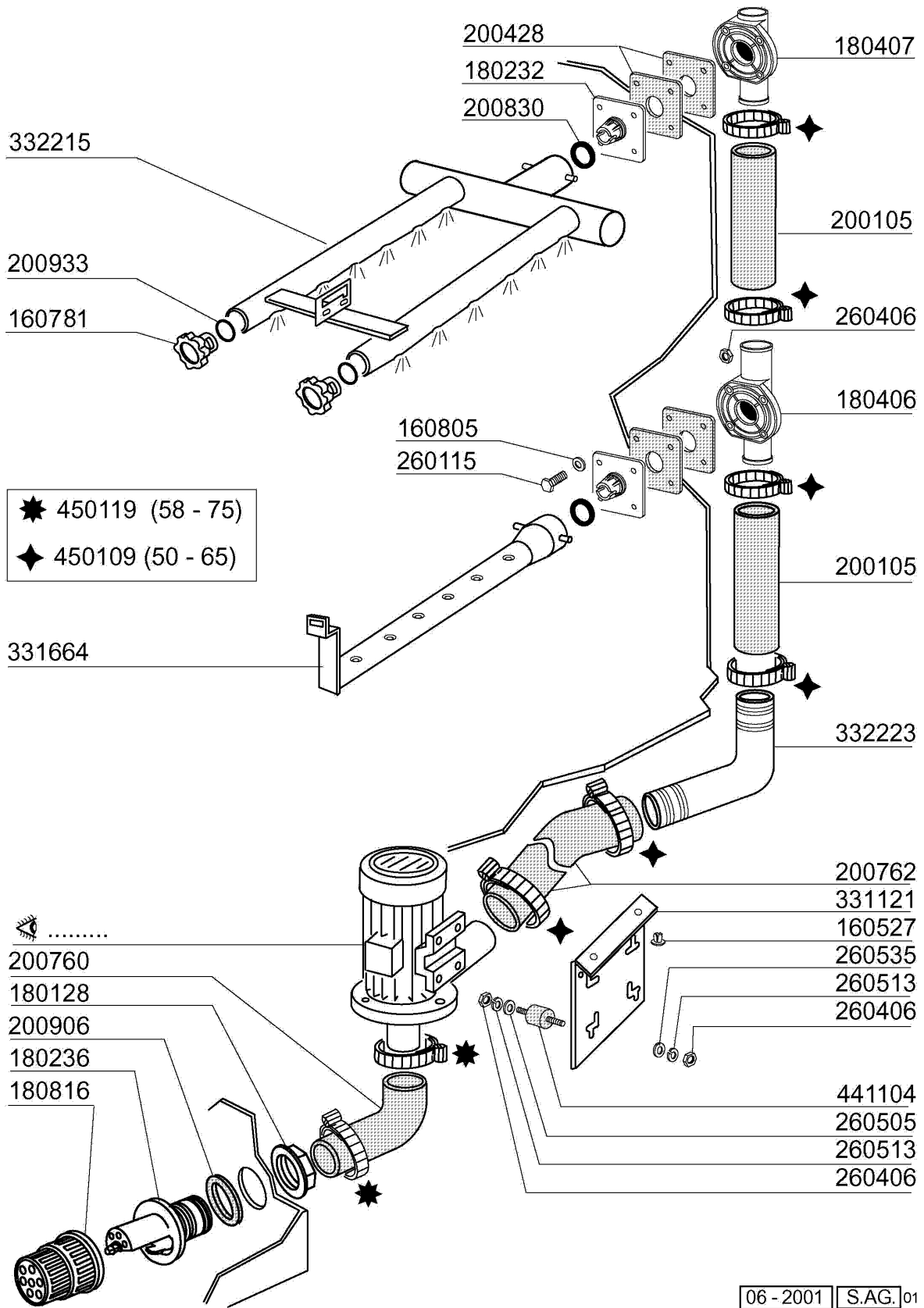
7 - Prewash Assembly 600mm



7 - Prewash Assembly 600mm

| CODE | DESCRIPTION |
|--------|--------------------------------|
| 180128 | RING NUT 65,4 C140 C85 |
| 180236 | PUMP SUCTION FOR AC-ACR-C155 |
| 180406 | T-CONNECTOR F. WASHING S90-SNL |
| 180407 | ELBOW S90 S N L |
| 180816 | STRAINER OF INLET PUMP AC-ACR |
| 190137 | WASH ARM SUPPORT ACR |
| 190623 | RESTR.D.14 MOPL.S 3ØS PREWAS/P |
| 200105 | RUBBER HOSE 50X60 |
| 200329 | HOSE |
| 200428 | GASKET 100X100X3 NEOTEN |
| 200468 | GASKET 70X70X3 NEOTEN NE |
| 200495 | GASKET FOR ACR S/S WASH ARM 43 |
| 200760 | SUCTION HOSE FOR ACR |
| 200762 | DELIVERY HOSE ACR |
| 200805 | OR GASKET 2,62X28,24X33,48 |
| 200906 | GASKET D.92X66X2 |
| 210406 | PLUG FOR ACR WASH ARM |
| 330225 | TIE ROD ACR WASH ARM SUPPORT |
| 330937 | FLANGE |
| 330940 | FLANGE |
| 331568 | LOWER CONNECTION |
| 331588 | HOSE (332223) |
| 420166 | WASH ARM SE/1 |
| 441104 | VIBRATION-DAMPING FEET FOR ACR |
| 450109 | CLAMP 50-65 |

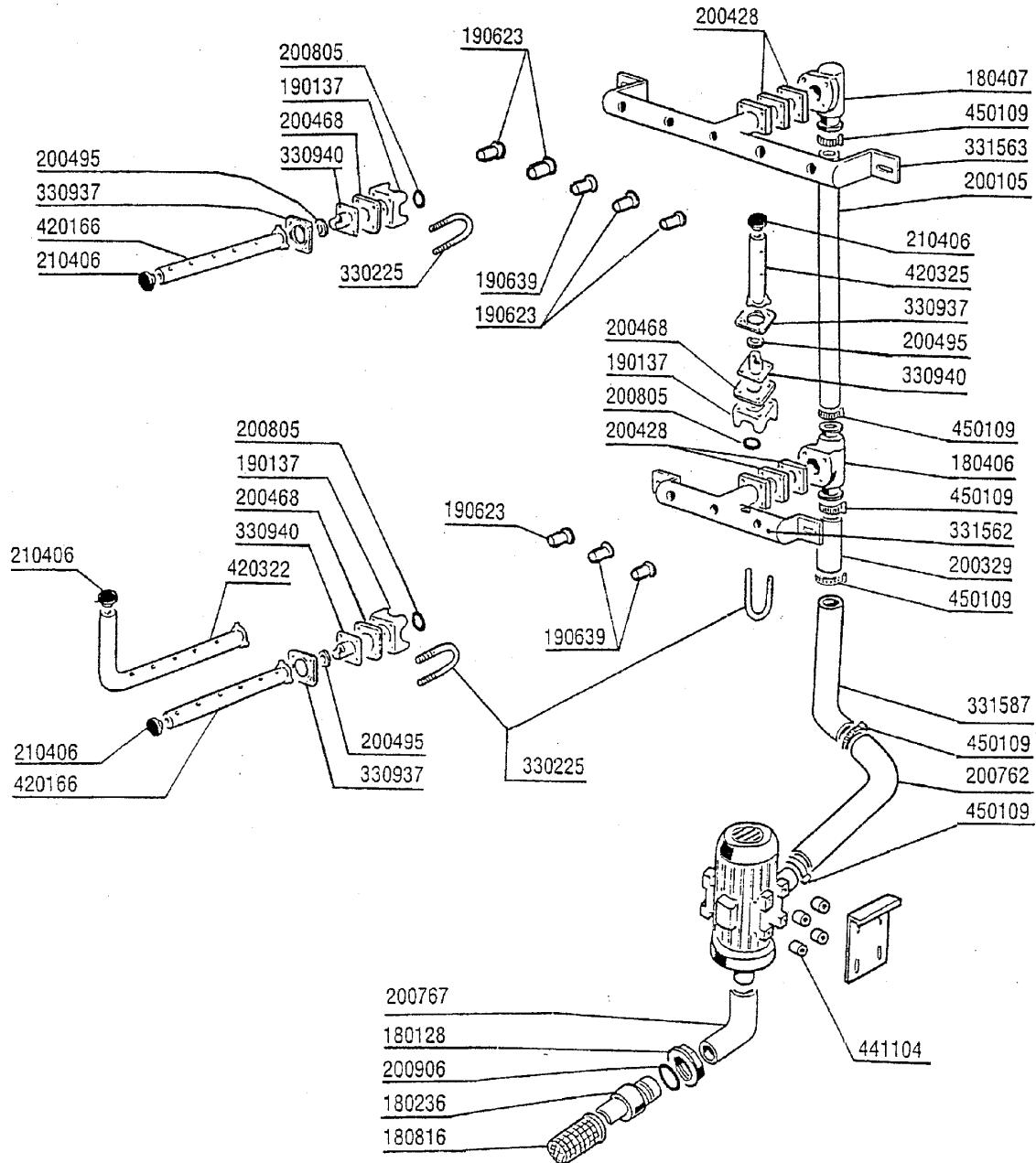
8 - Prewash Assembly 600mm



8 - Prewash Assembly 600mm

| CODE | DESCRIPTION |
|--------|--------------------------------|
| 160527 | PLUG 14,5X2X8 |
| 160781 | PLUG FOR COLLECTOR NEW AC |
| 160805 | GASKET D.8 |
| 180128 | RING NUT 65,4 C140 C85 |
| 180232 | WASH ARM FLANGE SNL |
| 180236 | PUMP SUCTION FOR AC-ACR-C155 |
| 180406 | T-CONNECTOR F. WASHING S90-SNL |
| 180407 | ELBOW S90 S N L |
| 180816 | STRAINER OF INLET PUMP AC-ACR |
| 200105 | RUBBER HOSE 50X60 |
| 200428 | GASKET 100X100X3 NEOTEN |
| 200760 | SUCTION HOSE FOR ACR |
| 200762 | DELIVERY HOSE ACR |
| 200830 | O-RING 37,3X44,5X3,6 |
| 200906 | GASKET D.92X66X2 |
| 200933 | OR 24/32/4 FOR PLUG COLLECTOR |
| 260115 | STAIN.ST.TE SCREW 8X20 A2 UNI |
| 260406 | NUT 8MA |
| 260505 | STAINL.STEEL FLAT WASHER D8 |
| 260513 | GROWER WASHER D8 |
| 260535 | STAINL.ST WASHER 24X8,5X2 |
| 331121 | FIXING PLATE FOR PUMP ACR |
| 331664 | LOWER PREWASH ARM AC-ACR |
| 332215 | PREWASH ARM 600 (332554) |
| 332223 | OUTLET HOSE F. PREWASH 600MM A |
| 441104 | VIBRATION-DAMPING FEET FOR ACR |
| 450109 | CLAMP 50-65 |
| 450119 | CLAMP FE ZN. 58-75 H=12,2 |

9 - Wash Assembly 900mm

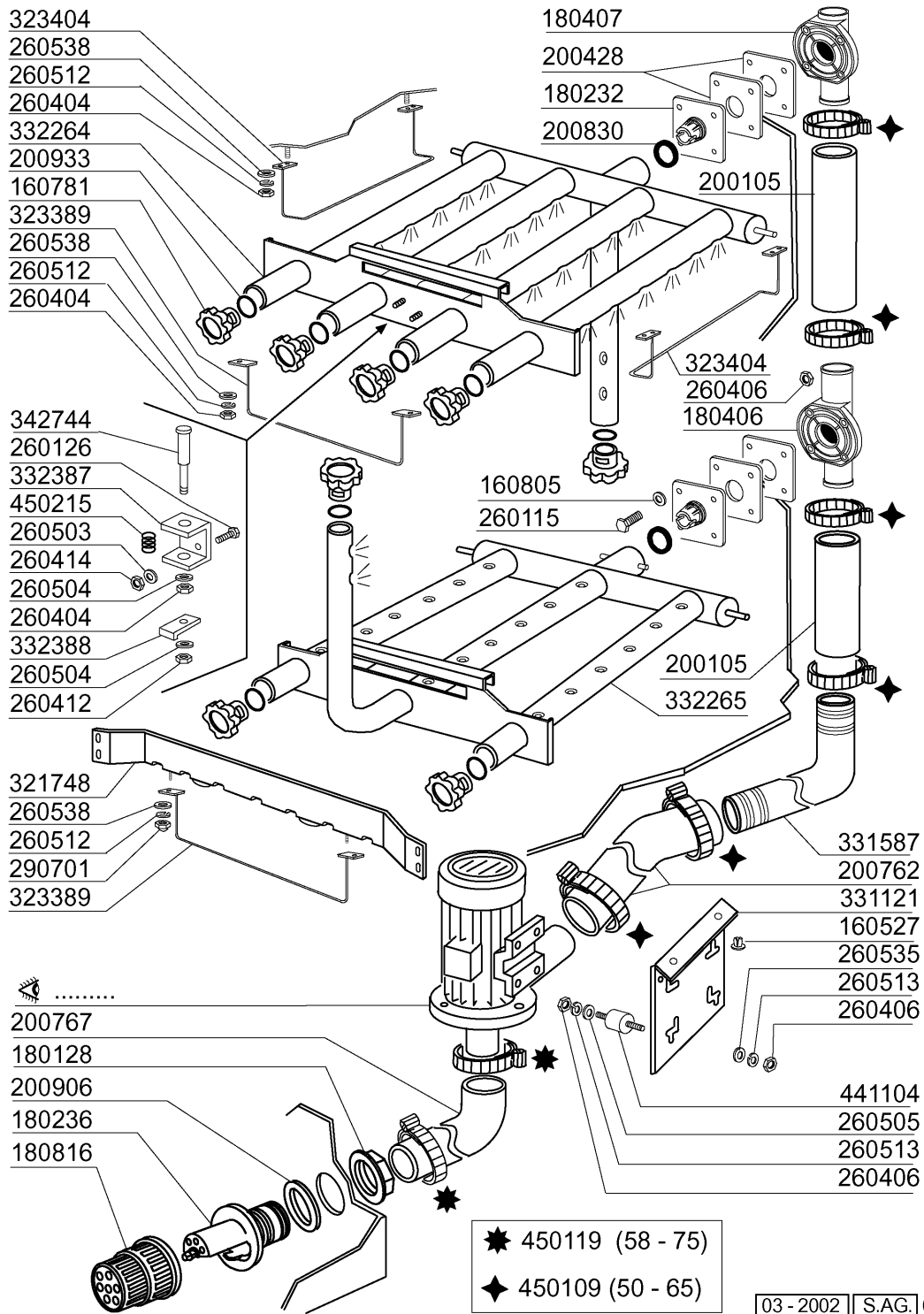


06 - 2001 | S.A.G.

9 - Wash Assembly 900mm

| CODE | DESCRIPTION |
|--------|--------------------------------|
| 180128 | RING NUT 65,4 C140 C85 |
| 180236 | PUMP SUCTION FOR AC-ACR-C155 |
| 180406 | T-CONNECTOR F. WASHING S90-SNL |
| 180407 | ELBOW S90 S N L |
| 180816 | STRAINER OF INLET PUMP AC-ACR |
| 190137 | WASH ARM SUPPORT ACR |
| 190623 | RESTR.D.14 MOPL.S 3ØS PREWAS/P |
| 190639 | REDUCTION BUSH D.16 |
| 200105 | RUBBER HOSE 50X60 |
| 200329 | HOSE |
| 200428 | GASKET 100X100X3 NEOTEN |
| 200468 | GASKET 70X70X3 NEOTEN NE |
| 200495 | GASKET FOR ACR S/S WASH ARM 43 |
| 200762 | DELIVERY HOSE ACR |
| 200767 | OUTLET HOSE WASH ACR |
| 200805 | OR GASKET 2,62X28,24X33,48 |
| 200906 | GASKET D.92X66X2 |
| 210406 | PLUG FOR ACR WASH ARM |
| 330225 | TIE ROD ACR WASH ARM SUPPORT |
| 330937 | FLANGE |
| 330940 | FLANGE |
| 331562 | CONNEC.ELBOW F.LOWER WASH |
| 331563 | CONNEC.ELBOW F.UPPER WASH |
| 331587 | DELIVERY ELBOW AC-ACR WASH |
| 420166 | WASH ARM SE/1 |
| 420322 | EXTERIOR SIDE WASH ARM ACR MAC |
| 420325 | INTERNAL SIDE WASH ARM ACR MAC |
| 441104 | VIBRATION-DAMPING FEET FOR ACR |
| 450109 | CLAMP 50-65 |

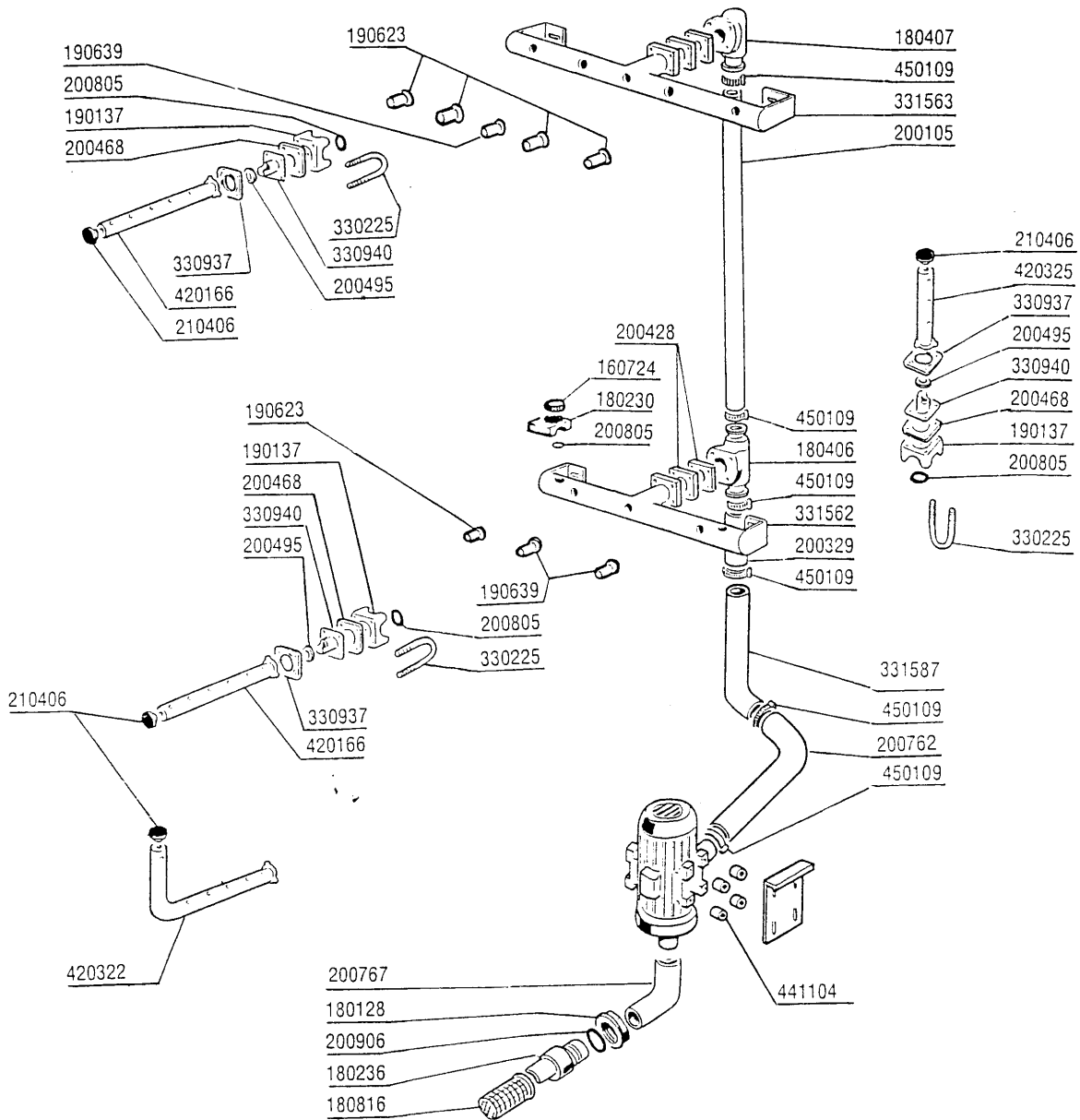
10 - Wash Assembly 900mm



10 - Wash Assembly 900mm

| CODE | DESCRIPTION |
|--------|--------------------------------|
| 160527 | PLUG 14,5X2X8 |
| 160781 | PLUG FOR COLLECTOR NEW AC |
| 160805 | GASKET D.8 |
| 180128 | RING NUT 65,4 C140 C85 |
| 180232 | WASH ARM FLANGE SNL |
| 180236 | PUMP SUCTION FOR AC-ACR-C155 |
| 180406 | T-CONNECTOR F. WASHING S90-SNL |
| 180407 | ELBOW S90 S N L |
| 180816 | STRAINER OF INLET PUMP AC-ACR |
| 200105 | RUBBER HOSE 50X60 |
| 200428 | GASKET 100X100X3 NEOTEN |
| 200762 | DELIVERY HOSE ACR |
| 200767 | OUTLET HOSE WASH ACR |
| 200830 | O-RING 37,3X44,5X3,6 |
| 200906 | GASKET D.92X66X2 |
| 200933 | OR 24/32/4 FOR PLUG COLLECTOR |
| 260115 | STAIN.ST.TE SCREW 8X20 A2 UNI |
| 260126 | SCREW TE 5X12 |
| 260404 | STAINLESS STEEL NUTS D6 UNI 55 |
| 260406 | NUT 8MA |
| 260412 | SELF-LOCKING NUT M6 |
| 260414 | SELF-LOCKING NUT M5 |
| 260503 | STAINL.STEEL FLAT WASHER D5 UN |
| 260504 | ST/ST FLAT WASHER D6 |
| 260505 | STAINL.STEEL FLAT WASHER D8 |
| 260512 | ST/ST GROWER WASHER D6 |
| 260513 | GROWER WASHER D8 |
| 260535 | STAINL.ST WASHER 24X8,5X2 |
| 260538 | WASHER 18X6X1,5 ST/ST |
| 290701 | HEXAGON BLIND NUTS GM H12 |
| 321748 | GUIDE |
| 323389 | BRACKET |
| 323404 | GUIDE |
| 331121 | FIXING PLATE FOR PUMP ACR |
| 331587 | DELIVERY ELBOW AC-ACR WASH |
| 332264 | WASH ARM 900 |
| 332265 | WASH ARM |
| 332387 | BRACKET |
| 332388 | BRACKET |
| 342744 | PIN |
| 441104 | VIBRATION-DAMPING FEET FOR ACR |
| 450109 | CLAMP 50-65 |
| 450119 | CLAMP FE ZN. 58-75 H=12,2 |
| 450215 | SPRING F.SWITCH ROD R/B41-11-2 |

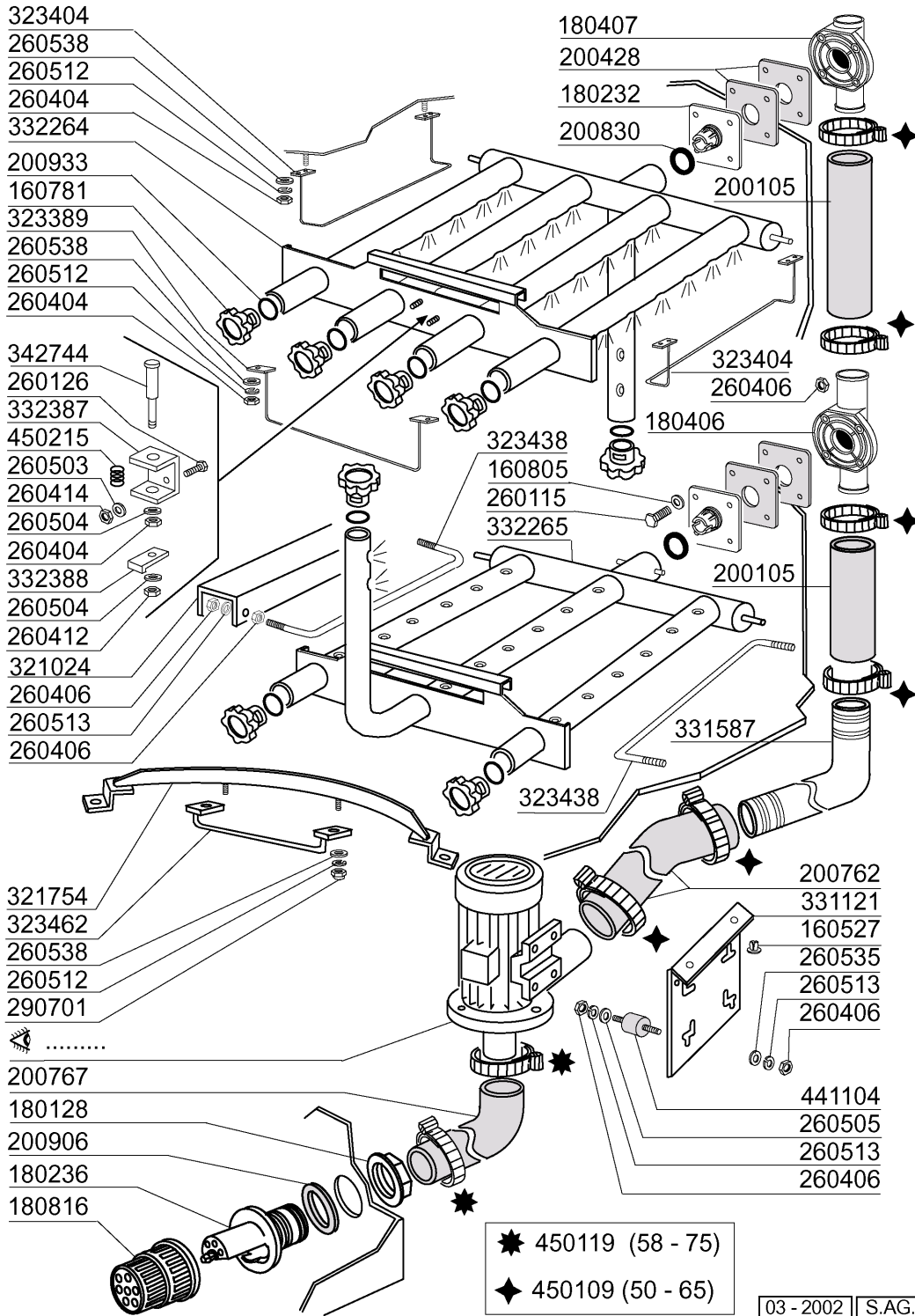
11 - Corner Wash Assembly



11 - Corner Wash Assembly

| CODE | DESCRIPTION |
|--------|--------------------------------|
| 160724 | PLUG F. WASH ARM S90 |
| 180128 | RING NUT 65,4 C140 C85 |
| 180230 | FLANGE F. CLOSING WASH COLUMN |
| 180236 | PUMP SUCTION FOR AC-ACR-C155 |
| 180406 | T-CONNECTOR F. WASHING S90-SNL |
| 180407 | ELBOW S90 S N L |
| 180816 | STRAINER OF INLET PUMP AC-ACR |
| 190137 | WASH ARM SUPPORT ACR |
| 190623 | RESTR.D.14 MOPL.S 3ØS PREWAS/P |
| 190639 | REDUCTION BUSH D.16 |
| 200105 | RUBBER HOSE 50X60 |
| 200329 | HOSE |
| 200428 | GASKET 100X100X3 NEOTEN |
| 200468 | GASKET 70X70X3 NEOTEN NE |
| 200495 | GASKET FOR ACR S/S WASH ARM 43 |
| 200762 | DELIVERY HOSE ACR |
| 200767 | OUTLET HOSE WASH ACR |
| 200805 | OR GASKET 2,62X28,24X33,48 |
| 200906 | GASKET D.92X66X2 |
| 210406 | PLUG FOR ACR WASH ARM |
| 330225 | TIE ROD ACR WASH ARM SUPPORT |
| 330937 | FLANGE |
| 330940 | FLANGE |
| 331562 | CONNEC.ELBOW F.LOWER WASH |
| 331563 | CONNEC.ELBOW F.UPPER WASH |
| 331587 | DELIVERY ELBOW AC-ACR WASH |
| 420166 | WASH ARM SE/1 |
| 420322 | EXTERIOR SIDE WASH ARM ACR MAC |
| 420325 | INTERNAL SIDE WASH ARM ACR MAC |
| 441104 | VIBRATION-DAMPING FEET FOR ACR |
| 450109 | CLAMP 50-65 |

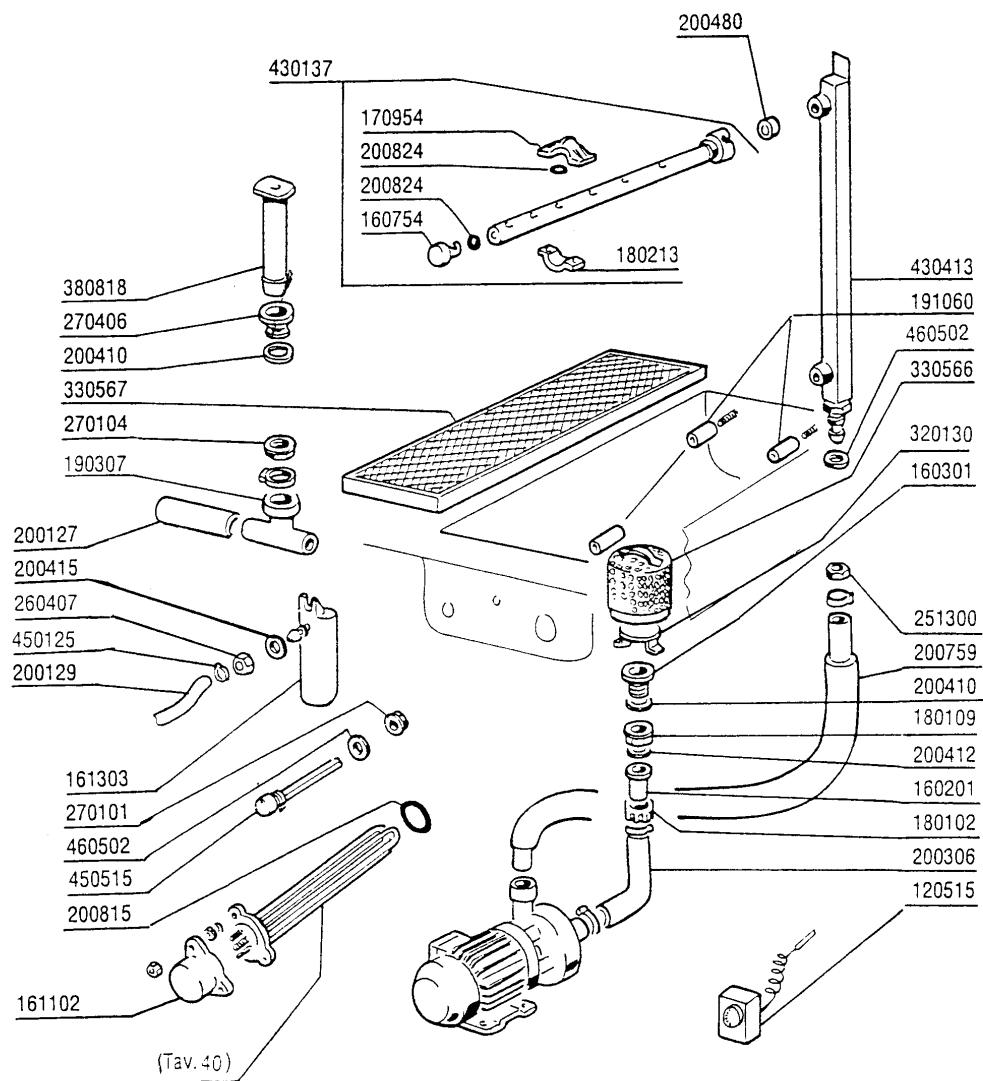
12 - Corner Wash Assembly



03 - 2002 | S.A.G. | 01

12 - Corner Wash Assembly

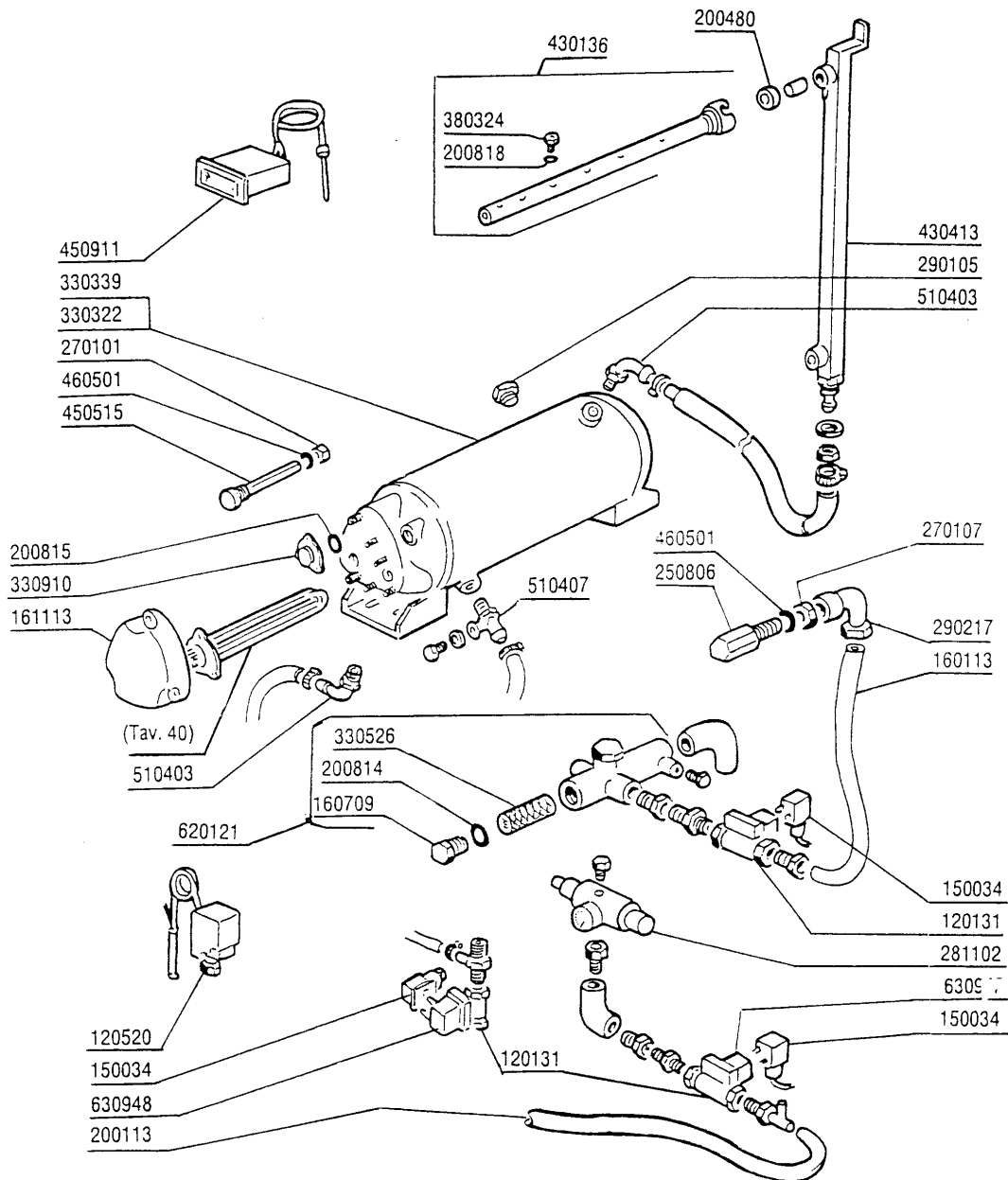
| CODE | DESCRIPTION |
|--------|--------------------------------|
| 160527 | PLUG 14,5X2X8 |
| 160781 | PLUG FOR COLLECTOR NEW AC |
| 160805 | GASKET D.8 |
| 180128 | RING NUT 65,4 C140 C85 |
| 180232 | WASH ARM FLANGE SNL |
| 180236 | PUMP SUCTION FOR AC-ACR-C155 |
| 180406 | T-CONNECTOR F. WASHING S90-SNL |
| 180407 | ELBOW S90 S N L |
| 180816 | STRAINER OF INLET PUMP AC-ACR |
| 200105 | RUBBER HOSE 50X60 |
| 200428 | GASKET 100X100X3 NEOTEN |
| 200762 | DELIVERY HOSE ACR |
| 200767 | OUTLET HOSE WASH ACR |
| 200830 | O-RING 37,3X44,5X3,6 |
| 200906 | GASKET D.92X66X2 |
| 200933 | OR 24/32/4 FOR PLUG COLLECTOR |
| 260115 | STAIN.ST.TE SCREW 8X20 A2 UNI |
| 260126 | SCREW TE 5X12 |
| 260404 | STAINLESS STEEL NUTS D6 UNI 55 |
| 260406 | NUT 8MA |
| 260412 | SELF-LOCKING NUT M6 |
| 260414 | SELF-LOCKING NUT M5 |
| 260503 | STAINL.STEEL FLAT WASHER D5 UN |
| 260504 | ST/ST FLAT WASHER D6 |
| 260505 | STAINL.STEEL FLAT WASHER D8 |
| 260512 | ST/ST GROWER WASHER D6 |
| 260513 | GROWER WASHER D8 |
| 260535 | STAINL.ST WASHER 24X8,5X2 |
| 260538 | WASHER 18X6X1,5 ST/ST |
| 290701 | HEXAGON BLIND NUTS GM H12 |
| 321024 | SUPPORT |
| 321754 | GUIDE |
| 323389 | BRACKET |
| 323404 | GUIDE |
| 323438 | GUIDE |
| 323462 | SUPPORT |
| 331121 | FIXING PLATE FOR PUMP ACR |
| 331587 | DELIVERY ELBOW AC-ACR WASH |
| 332264 | WASH ARM 900 |
| 332265 | WASH ARM |
| 332387 | BRACKET |
| 332388 | BRACKET |
| 342744 | PIN |
| 441104 | VIBRATION-DAMPING FEET FOR ACR |
| 450109 | CLAMP 50-65 |
| 450119 | CLAMP FE ZN. 58-75 H=12,2 |
| 450215 | SPRING F.SWITCH ROD R/B41-11-2 |



13 - Ecorinse Assembly

| CODE | DESCRIPTION |
|--------|--------------------------------|
| 120515 | THERMOSTAT 0-90°C |
| 160201 | ELBOW F.TANK INLET MOPLN |
| 160301 | DRAIN OUTLET 1 1/2 C-S-N |
| 160754 | PLUG FOR RINSE ARMS SE NE |
| 161102 | ELEMENT COVER MOPL. |
| 161303 | AIR TRAP GLASSWASHER |
| 170954 | JET FOR ECORINSE ARM |
| 180102 | DRAIN PIPE NUT 1 1/2 F45-55 |
| 180109 | LOCK NUT 1 1/2" |
| 180213 | FLANGE F.JET LOCKING F2-C34 |
| 190307 | SPECIAL TEE GRAU MPL. |
| 191060 | HOLDER PIN FOR ECORINSE FILTER |
| 200127 | PVC HOSE D.35 |
| 200129 | HOSE 5X11 FOR PRESSURE SWITCH |
| 200306 | INLET HOSE 42X52 ECORINSE-DRAI |
| 200410 | DRAIN OUTL.WASH.1 1/2"65X47X2 |
| 200412 | GASKET DRAIN 1 1/2" 45X33X3 |
| 200415 | AIR TRAP GASKET -F2 18,5X10X3 |
| 200480 | GASKET F. RINSE CONNECT. |
| 200759 | DELIVERY HOSE FOR ECORINSE AC- |
| 200815 | O-RING F. HEAT.ELEM. |
| 200824 | O-RING 1,78X12,42X15,98 |
| 251300 | S/S LOCK NUT 1/2" AC-ACR |
| 260407 | STAINLESS STEEL NUTS D10 UNI 5 |
| 270101 | HEXAGON LOCK NUT 1/2" |
| 270104 | LOCK NUT 1" 1/2 |
| 270406 | ECORINSE DRAIN OUTLET |
| 320130 | VORTEX BREAKER FOR ECORINSE PU |
| 330566 | FILTER 110 FOR ECORINSE TANK |
| 330567 | STANDARD RINSE FILTER SE |
| 380818 | OVERFLOW TUBE FOR ECORINSE SE |
| 430137 | ECORINSE ARM SE-SE/1 |
| 430413 | RINSE COLUMN SE-ACR |
| 450125 | ELASTIC CLAMP D. 10,4X9,8 |
| 450515 | STAINL.ST.SHIELD FOR 1 THERMOS |
| 460502 | GASKET 30X21X2 |

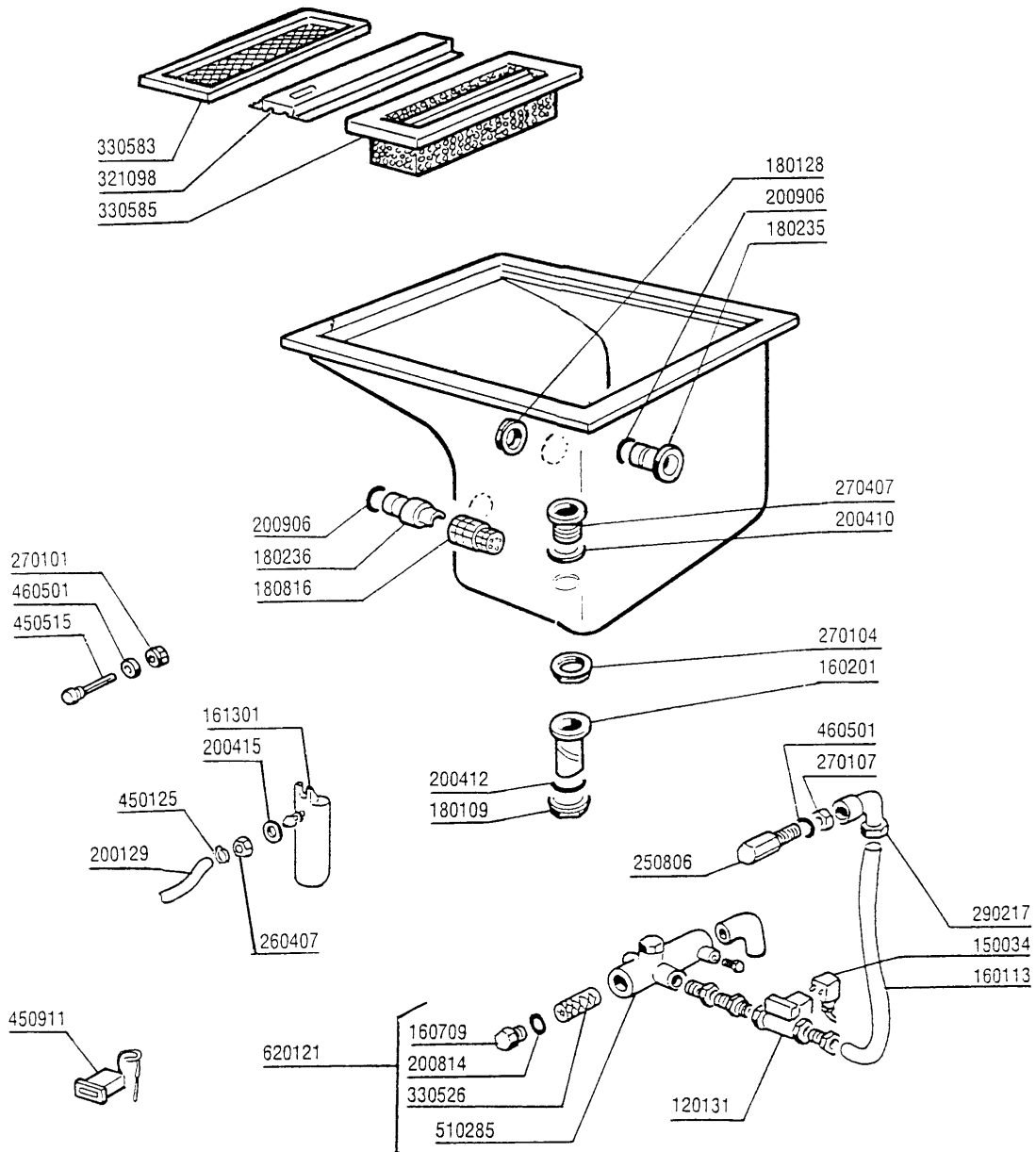
14 - Rinse assembly



14 - Rinse assembly

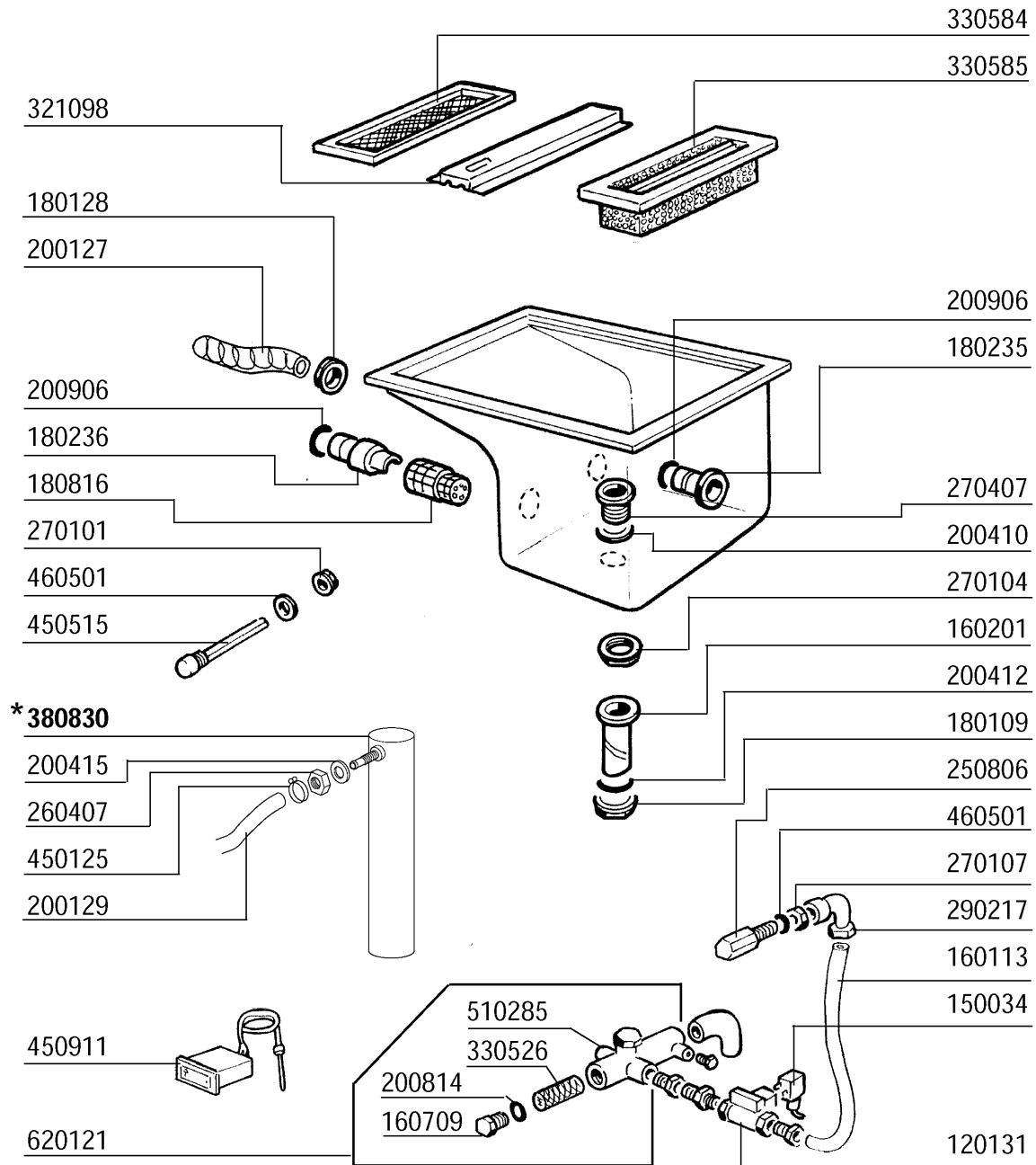
| CODE | DESCRIPTION |
|--------|--------------------------------|
| 120131 | SOLEN. L182Q31-ZB10A 1/2"24V |
| 120520 | SECURITY THERMOSTAT 110-130Ø |
| 150034 | CONNEX.F.SOLEN.VALVE 122.09.N |
| 160113 | TUBE IN POL. RETIC. 12 EST |
| 160709 | KNOB OF MANIFOLD F. SOLEN. VAL |
| 161113 | ELEMENT COVER BLACK |
| 200113 | RUBBER HOSE 12 X 22 |
| 200480 | GASKET F. RINSE CONNECT. |
| 200814 | O-RING 34,52X41,58X3,53 |
| 200815 | O-RING F. HEAT.ELEM. |
| 200818 | O-RING 1,78 X 6,75 X 10,31 |
| 250806 | TANK FILL HOSE CLAMP - AC/ACR |
| 270101 | HEXAGON LOCK NUT 1/2" |
| 270107 | BRASS LOCK NUT 3/8" FL803 |
| 281102 | 1/2" ADJ VALVE C/W GAUGE TYPE |
| 290105 | BRASS-TE-PLUG 1/2" |
| 290217 | HOSE CLAMP ELBOW 12X3/8" TYPE |
| 330322 | INSULATED BOILER D.230 N/S |
| 330339 | BOILER D.220X640 F.TWO HEAT.EL |
| 330526 | FILTERS 22X28 SOLENOID V.MANIF |
| 330910 | FLANGE |
| 380324 | RINSE JETS 52,5 80Ø OV1/8" |
| 430136 | RINSE ARM S-SE-SE/1 |
| 430413 | RINSE COLUMN SE-ACR |
| 450515 | STAINL.ST.SHIELD FOR 1 THERMOS |
| 450911 | DIGITAL THERMOSTAT MTR10P 24/5 |
| 460501 | GASKET 24X17X2 |
| 510403 | CONNECT.HOSE 90Ø1/2"X12 |
| 510407 | NIPPLE FOR BOILER N S |
| 620121 | TWIN SOLENOID VALVE MANIFOLD |
| 630948 | COIL Z610A 24V 50/60-L180V01 |

15 - Prewash tank components 600mm



15 - Prewash tank components 600mm

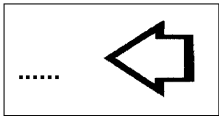
| CODE | DESCRIPTION |
|--------|--------------------------------|
| 120131 | SOLEN. L182Q31-ZB10A 1/2"24V |
| 150034 | CONNec.F.SOLEN.VALVE 122.09.N |
| 160113 | TUBE IN POL. RETIC. 12 EST |
| 160201 | ELBOW F.TANK INLET MOPLEN |
| 160709 | KNOB OF MANIFOLD F. SOLEN. VAL |
| 161301 | AIR TRAP F2 C34-F45 |
| 180109 | LOCK NUT 1 1/2" |
| 180128 | RING NUT 65,4 C140 C85 |
| 180235 | PUMP SUCTION C85-140 |
| 180236 | PUMP SUCTION FOR AC-ACR-C155 |
| 180816 | STRAINER OF INLET PUMP AC-ACR |
| 200129 | HOSE 5X11 FOR PRESSURE SWITCH |
| 200410 | DRAIN OUTL.WASH.1 1/2"65X47X2 |
| 200412 | GASKET DRAIN 11/2" 45X33X3 |
| 200415 | AIR TRAP GASKET -F2 18,5X10X3 |
| 200814 | O-RING 34,52X41,58X3,53 |
| 200906 | GASKET D.92X66X2 |
| 250806 | TANK FILL HOSE CLAMP - AC/ACR |
| 260407 | STAINLESS STEEL NUTS D10 UNI 5 |
| 270101 | HEXAGON LOCK NUT 1/2" |
| 270104 | LOCK NUT 1" 1/2 |
| 270107 | BRASS LOCK NUT 3/8" FL803 |
| 270407 | TANK DRAIN OUTLET ACR |
| 290217 | HOSE CLAMP ELBOW 12X3/8" TYPE |
| 321098 | SUPPORT |
| 330526 | FILTERS 22X28 SOLENOID V.MANIF |
| 330583 | PREWASH FILTER AC/ACR |
| 330585 | PREWASH DRAWER FILTER AC-ACR |
| 450125 | ELASTIC CLAMP D. 10,4X9,8 |
| 450515 | STAINL.ST.SHIELD FOR 1 THERMOS |
| 450911 | DIGITAL THERMOSTAT MTR10P 24/5 |
| 460501 | GASKET 24X17X2 |
| 510285 | SOLENOID VALVE MANIFOLD - BRAS |
| 620121 | TWIN SOLENOID VALVE MANIFOLD |



1 - 4 - 95 01

* Dalla matricola:
 * A partir da la matr.
 * From serial no.
 * Ab Seriennr.
 * Despues la matr.

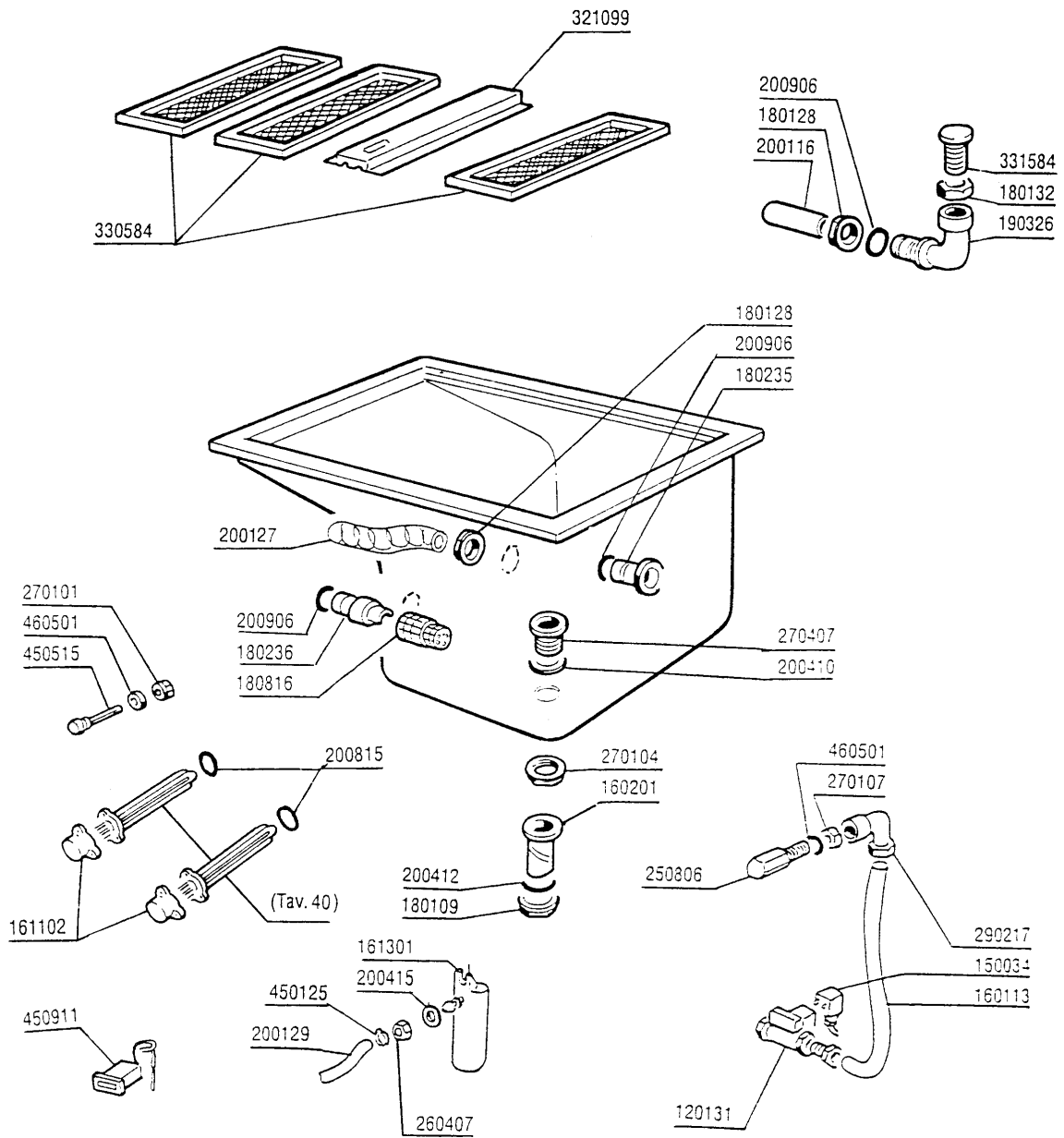
94865/94



16 - Prewash tank components 600mm

| CODE | DESCRIPTION |
|--------|--------------------------------|
| 120131 | SOLEN. L182Q31-ZB10A 1/2"24V |
| 150034 | CONNEC.F.SOLEN.VALVE 122.09.N |
| 160113 | TUBE IN POL. RETIC. 12 EST |
| 160201 | ELBOW F.TANK INLET MOPLEN |
| 160709 | KNOB OF MANIFOLD F. SOLEN. VAL |
| 180109 | LOCK NUT 1 1/2" |
| 180128 | RING NUT 65,4 C140 C85 |
| 180235 | PUMP SUCTION C85-140 |
| 180236 | PUMP SUCTION FOR AC-ACR-C155 |
| 180816 | STRAINER OF INLET PUMP AC-ACR |
| 200127 | PVC HOSE D.35 |
| 200129 | HOSE 5X11 FOR PRESSURE SWITCH |
| 200410 | DRAIN OUTL.WASH.1 1/2"65X47X2 |
| 200412 | GASKET DRAIN 11/2" 45X33X3 |
| 200415 | AIR TRAP GASKET -F2 18,5X10X3 |
| 200814 | O-RING 34,52X41,58X3,53 |
| 200906 | GASKET D.92X66X2 |
| 250806 | TANK FILL HOSE CLAMP - AC/ACR |
| 260407 | STAINLESS STEEL NUTS D10 UNI 5 |
| 270101 | HEXAGON LOCK NUT 1/2" |
| 270104 | LOCK NUT 1" 1/2 |
| 270107 | BRASS LOCK NUT 3/8" FL803 |
| 270407 | TANK DRAIN OUTLET ACR |
| 290217 | HOSE CLAMP ELBOW 12X3/8" TYPE |
| 321098 | SUPPORT |
| 330526 | FILTERS 22X28 SOLENOID V.MANIF |
| 330584 | WASH FILTER ACR |
| 330585 | PREWASH DRAWER FILTER AC-ACR |
| 380830 | AIR TRAP ST/ST FOR AC-ACR-GMC |
| 450125 | ELASTIC CLAMP D. 10,4X9,8 |
| 450515 | STAINL.ST.SHIELD FOR 1 THERMOS |
| 450911 | DIGITAL THERMOSTAT MTR10P 24/5 |
| 460501 | GASKET 24X17X2 |
| 510285 | SOLENOID VALVE MANIFOLD - BRAS |
| 620121 | TWIN SOLENOID VALVE MANIFOLD |

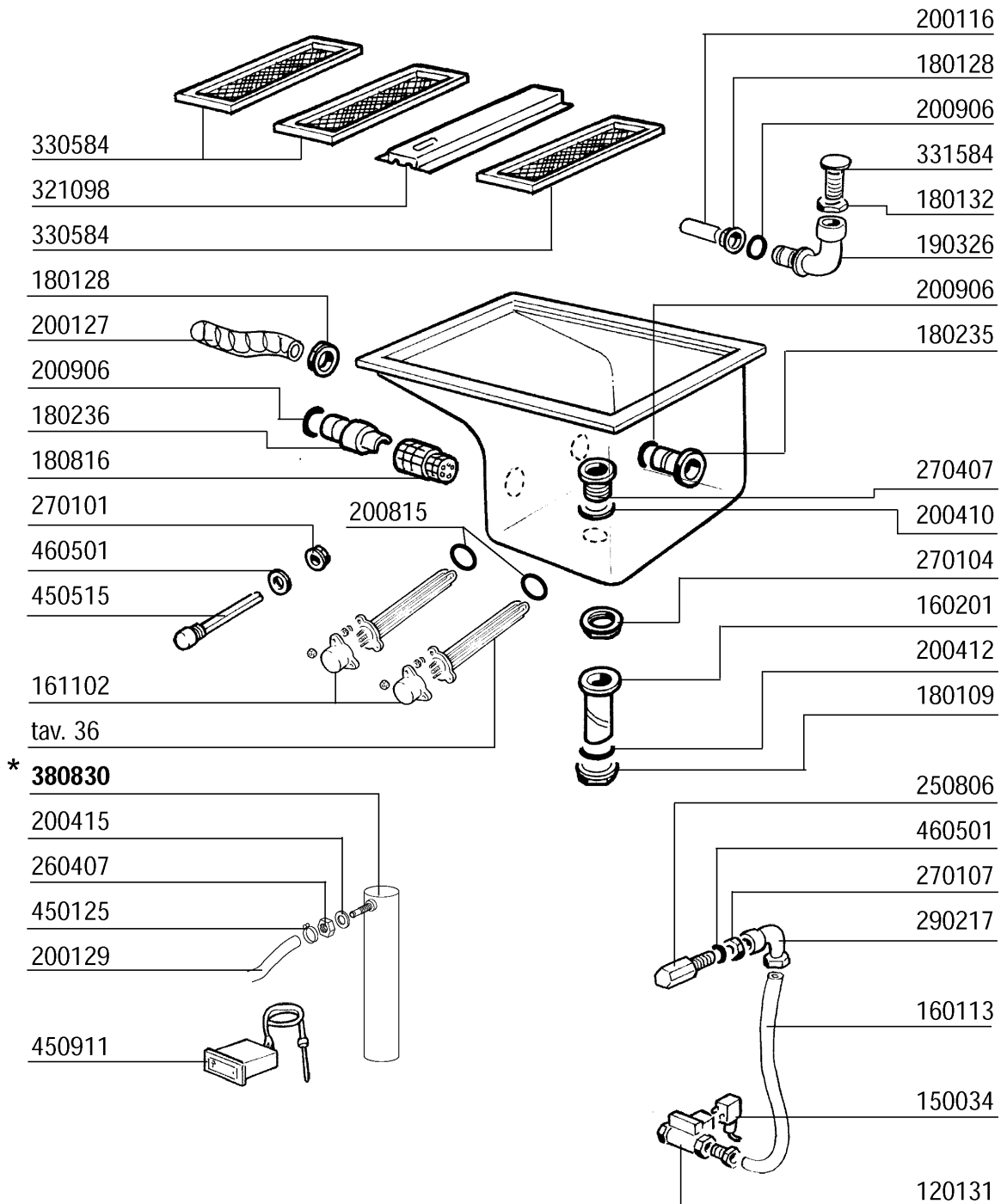
17 - Wash Tank Components 900mm



17 - Wash Tank Components 900mm

| CODE | DESCRIPTION |
|--------|--------------------------------|
| 120131 | SOLEN. L182Q31-ZB10A 1/2"24V |
| 150034 | CONNEC.F.SOLEN.VALVE 122.09.N |
| 160113 | TUBE IN POL. RETIC. 12 EST |
| 160201 | ELBOW F.TANK INLET MOPLN |
| 161102 | ELEMENT COVER MOPL. |
| 161301 | AIR TRAP F2 C34-F45 |
| 180109 | LOCK NUT 1 1/2" |
| 180128 | RING NUT 65,4 C140 C85 |
| 180132 | LOCK NUT 2" FOR OVERFLOW AC-AC |
| 180235 | PUMP SUCTION C85-140 |
| 180236 | PUMP SUCTION FOR AC-ACR-C155 |
| 180816 | STRAINER OF INLET PUMP AC-ACR |
| 190326 | ELBOW FOR OVERFLOW AC-ACR |
| 200116 | RUBBER HOSE 60X70 |
| 200127 | PVC HOSE D.35 |
| 200129 | HOSE 5X11 FOR PRESSURE SWITCH |
| 200410 | DRAIN OUTL.WASH.1 1/2"65X47X2 |
| 200412 | GASKET DRAIN 1 1/2" 45X33X3 |
| 200415 | AIR TRAP GASKET -F2 18,5X10X3 |
| 200815 | O-RING F. HEAT.ELEM. |
| 200906 | GASKET D.92X66X2 |
| 250806 | TANK FILL HOSE CLAMP - AC/ACR |
| 260407 | STAINLESS STEEL NUTS D10 UNI 5 |
| 270101 | HEXAGON LOCK NUT 1/2" |
| 270104 | LOCK NUT 1" 1/2 |
| 270107 | BRASS LOCK NUT 3/8" FL803 |
| 270407 | TANK DRAIN OUTLET ACR |
| 290217 | HOSE CLAMP ELBOW 12X3/8" TYPE |
| 321099 | SUPPORT |
| 330584 | WASH FILTER ACR |
| 331584 | ELBOW FOR AC-ACR OVERFLOW |
| 450125 | ELASTIC CLAMP D. 10,4X9,8 |
| 450515 | STAINL.ST.SHIELD FOR 1 THERMOS |
| 450911 | DIGITAL THERMOSTAT MTR10P 24/5 |
| 460501 | GASKET 24X17X2 |

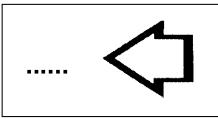
18 - Wash Tank Components 900mm



01 - 2002 S. AG.

* Dalla matricola:
* A partir da la matr.
* From serial no.
* Ab Seriennr.
* Despues la matr.

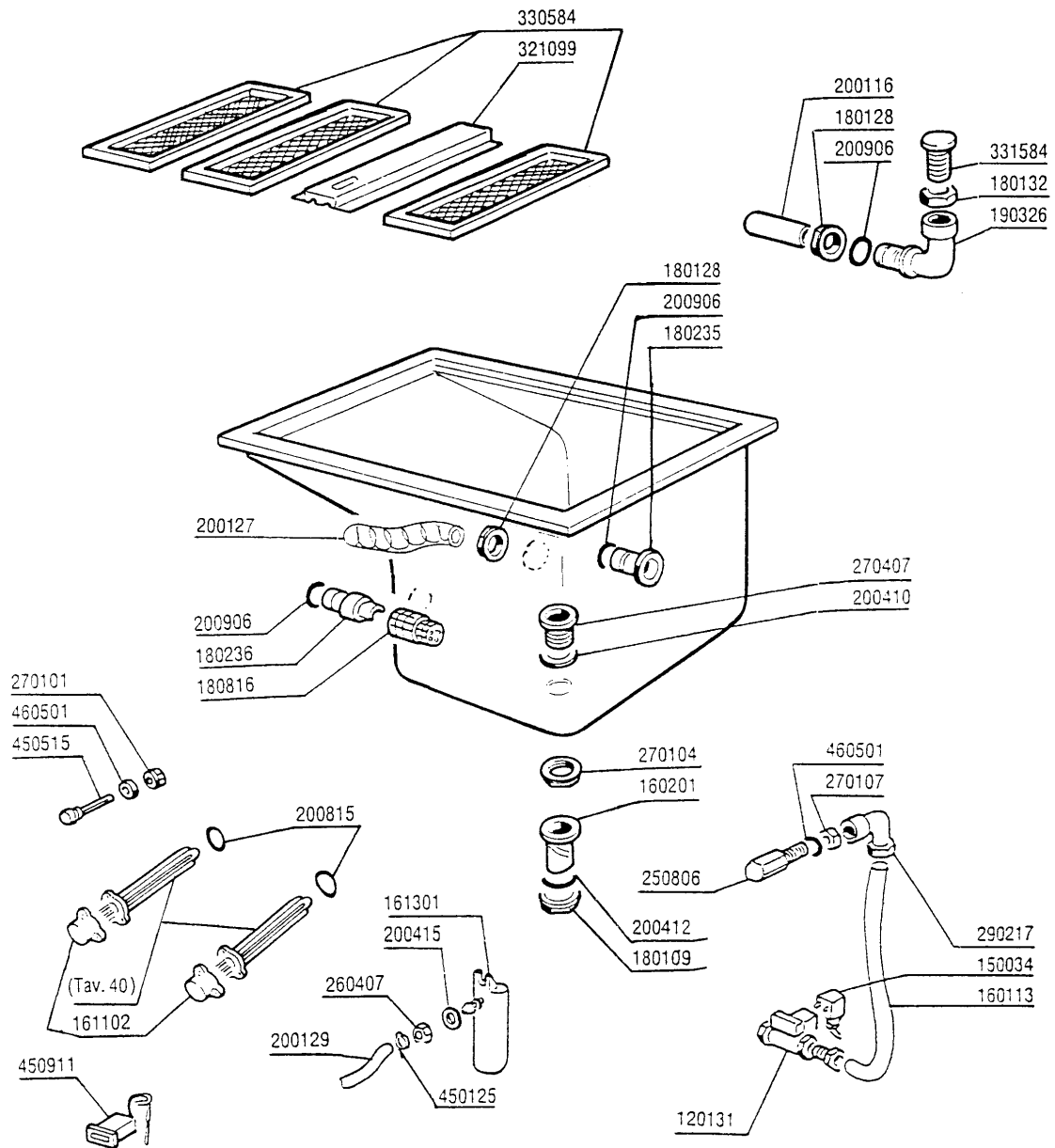
94865/94



18 - Wash Tank Components 900mm

| CODE | DESCRIPTION |
|--------|--------------------------------|
| 120131 | SOLEN. L182Q31-ZB10A 1/2"24V |
| 150034 | CONNEX.F.SOLEN.VALVE 122.09.N |
| 160113 | TUBE IN POL. RETIC. 12 EST |
| 160201 | ELBOW F.TANK INLET MOPLN |
| 161102 | ELEMENT COVER MOPL. |
| 180109 | LOCK NUT 1 1/2" |
| 180128 | RING NUT 65,4 C140 C85 |
| 180132 | LOCK NUT 2" FOR OVERFLOW AC-AC |
| 180235 | PUMP SUCTION C85-140 |
| 180236 | PUMP SUCTION FOR AC-ACR-C155 |
| 180816 | STRAINER OF INLET PUMP AC-ACR |
| 190326 | ELBOW FOR OVERFLOW AC-ACR |
| 200116 | RUBBER HOSE 60X70 |
| 200127 | PVC HOSE D.35 |
| 200129 | HOSE 5X11 FOR PRESSURE SWITCH |
| 200410 | DRAIN OUTL.WASH.1 1/2"65X47X2 |
| 200412 | GASKET DRAIN 1 1/2" 45X33X3 |
| 200415 | AIR TRAP GASKET -F2 18,5X10X3 |
| 200815 | O-RING F. HEAT.ELEM. |
| 200906 | GASKET D.92X66X2 |
| 250806 | TANK FILL HOSE CLAMP - AC/ACR |
| 260407 | STAINLESS STEEL NUTS D10 UNI 5 |
| 270101 | HEXAGON LOCK NUT 1/2" |
| 270104 | LOCK NUT 1" 1/2 |
| 270107 | BRASS LOCK NUT 3/8" FL803 |
| 270407 | TANK DRAIN OUTLET ACR |
| 290217 | HOSE CLAMP ELBOW 12X3/8" TYPE |
| 321098 | SUPPORT |
| 330584 | WASH FILTER ACR |
| 331584 | ELBOW FOR AC-ACR OVERFLOW |
| 380830 | AIR TRAP ST/ST FOR AC-ACR-GMC |
| 450125 | ELASTIC CLAMP D. 10,4X9,8 |
| 450515 | STAINL.ST.SHIELD FOR 1 THERMOS |
| 450911 | DIGITAL THERMOSTAT MTR10P 24/5 |
| 460501 | GASKET 24X17X2 |

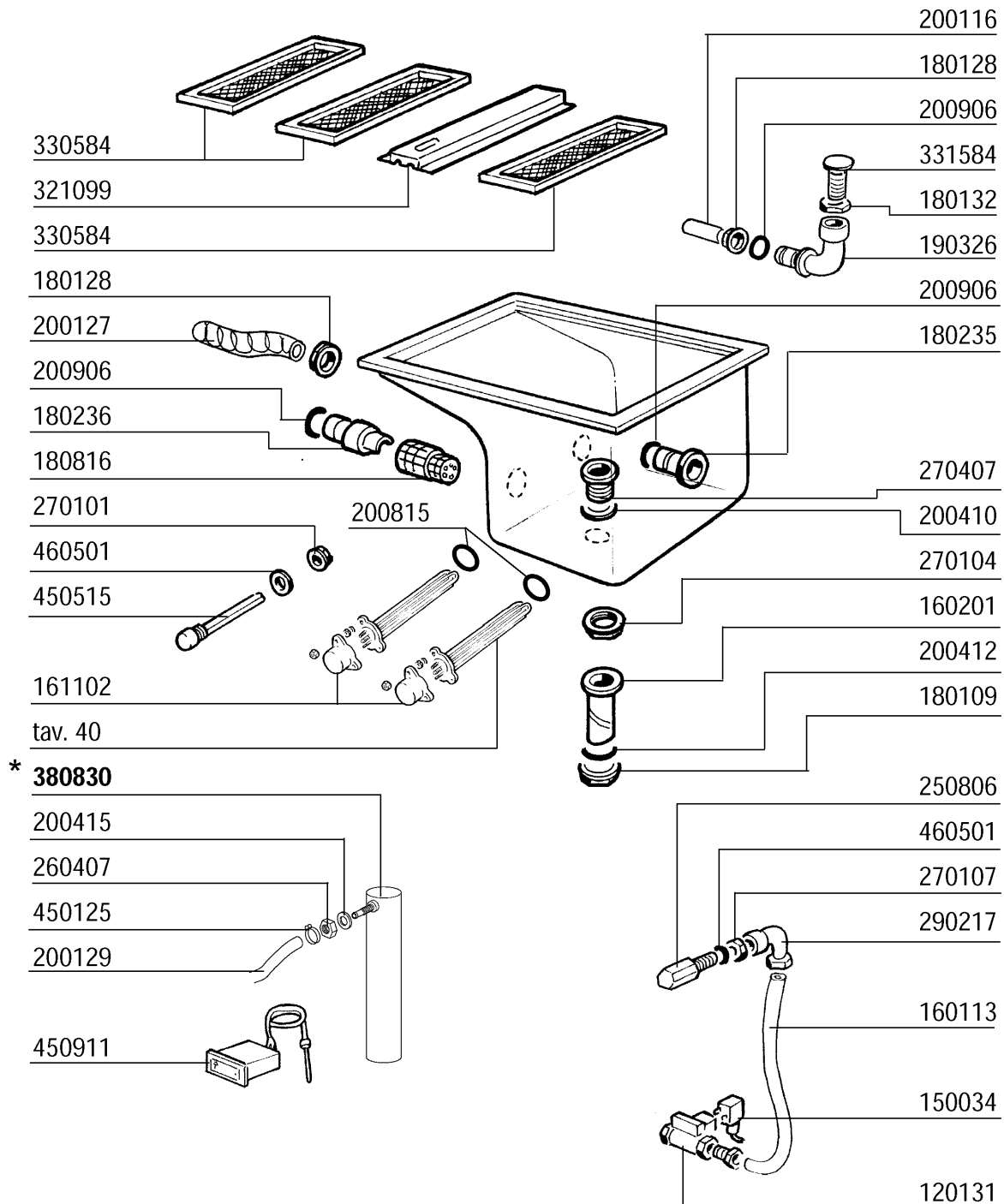
19 - Corner Wash Tank Components



19 - Corner Wash Tank Components

| CODE | DESCRIPTION |
|--------|--------------------------------|
| 120131 | SOLEN. L182Q31-ZB10A 1/2"24V |
| 150034 | CONNEC.F.SOLEN.VALVE 122.09.N |
| 160113 | TUBE IN POL. RETIC. 12 EST |
| 160201 | ELBOW F.TANK INLET MOPLN |
| 161102 | ELEMENT COVER MOPL. |
| 161301 | AIR TRAP F2 C34-F45 |
| 180109 | LOCK NUT 1 1/2" |
| 180128 | RING NUT 65,4 C140 C85 |
| 180132 | LOCK NUT 2" FOR OVERFLOW AC-AC |
| 180235 | PUMP SUCTION C85-140 |
| 180236 | PUMP SUCTION FOR AC-ACR-C155 |
| 180816 | STRAINER OF INLET PUMP AC-ACR |
| 190326 | ELBOW FOR OVERFLOW AC-ACR |
| 200116 | RUBBER HOSE 60X70 |
| 200127 | PVC HOSE D.35 |
| 200129 | HOSE 5X11 FOR PRESSURE SWITCH |
| 200410 | DRAIN OUTL.WASH.1 1/2"65X47X2 |
| 200412 | GASKET DRAIN 1 1/2" 45X33X3 |
| 200415 | AIR TRAP GASKET -F2 18,5X10X3 |
| 200815 | O-RING F. HEAT.ELEM. |
| 200906 | GASKET D.92X66X2 |
| 250806 | TANK FILL HOSE CLAMP - AC/ACR |
| 260407 | STAINLESS STEEL NUTS D10 UNI 5 |
| 270101 | HEXAGON LOCK NUT 1/2" |
| 270104 | LOCK NUT 1" 1/2 |
| 270107 | BRASS LOCK NUT 3/8" FL803 |
| 270407 | TANK DRAIN OUTLET ACR |
| 290217 | HOSE CLAMP ELBOW 12X3/8" TYPE |
| 321099 | SUPPORT |
| 330584 | WASH FILTER ACR |
| 331584 | ELBOW FOR AC-ACR OVERFLOW |
| 450125 | ELASTIC CLAMP D. 10,4X9,8 |
| 450515 | STAINL.ST.SHIELD FOR 1 THERMOS |
| 450911 | DIGITAL THERMOSTAT MTR10P 24/5 |
| 460501 | GASKET 24X17X2 |

20 - Corner Wash Tank Components



01 - 2002 S. AG.

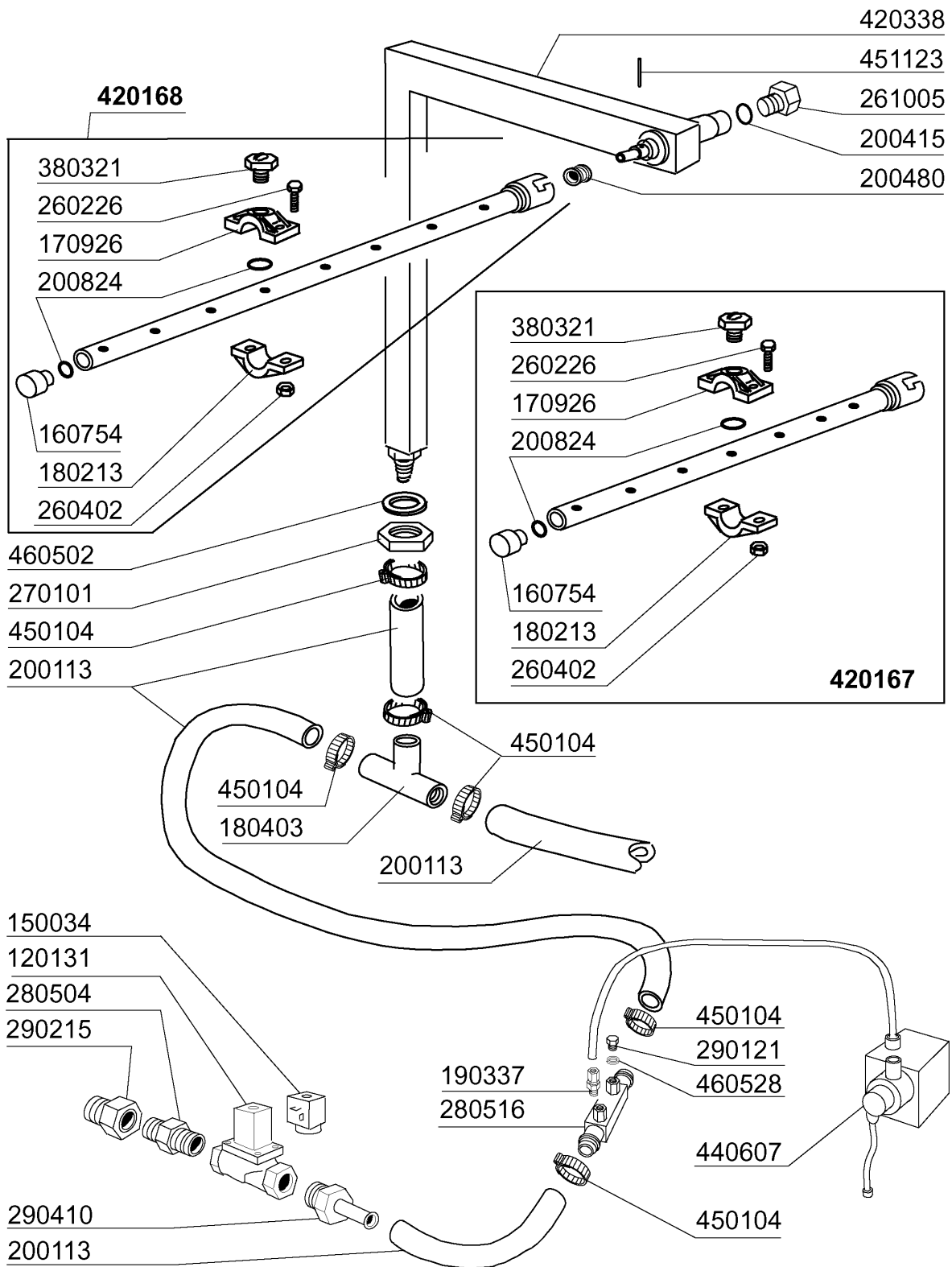
* Dalla matricola:
* A partir da la matr.
* From serial no.
* Ab Seriennr.
* Despues la matr.

94865/94

18

20 - Corner Wash Tank Components

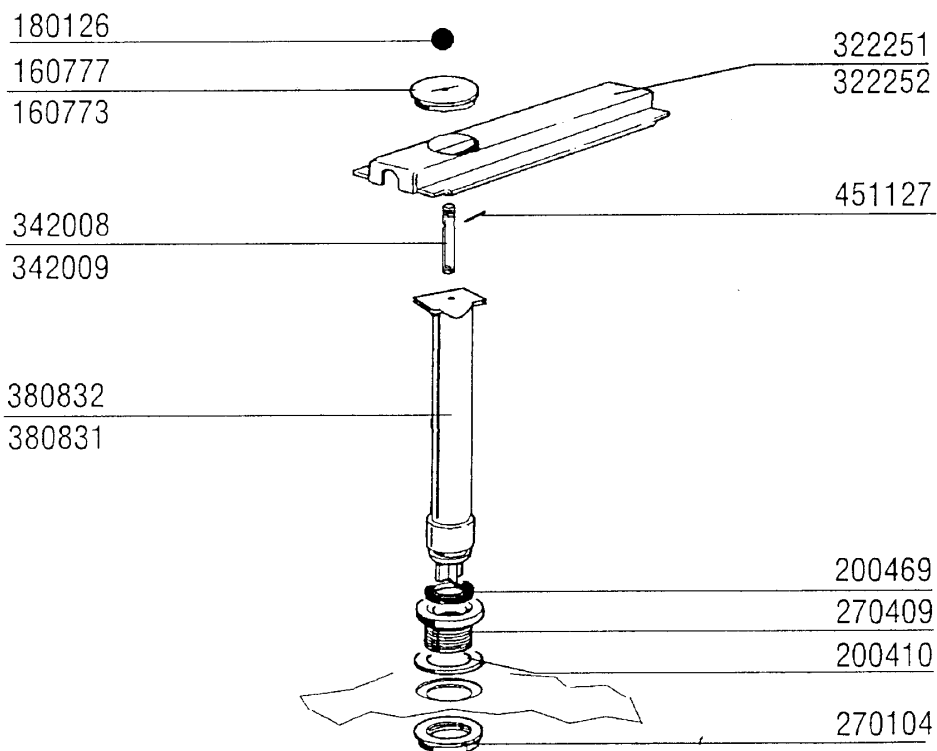
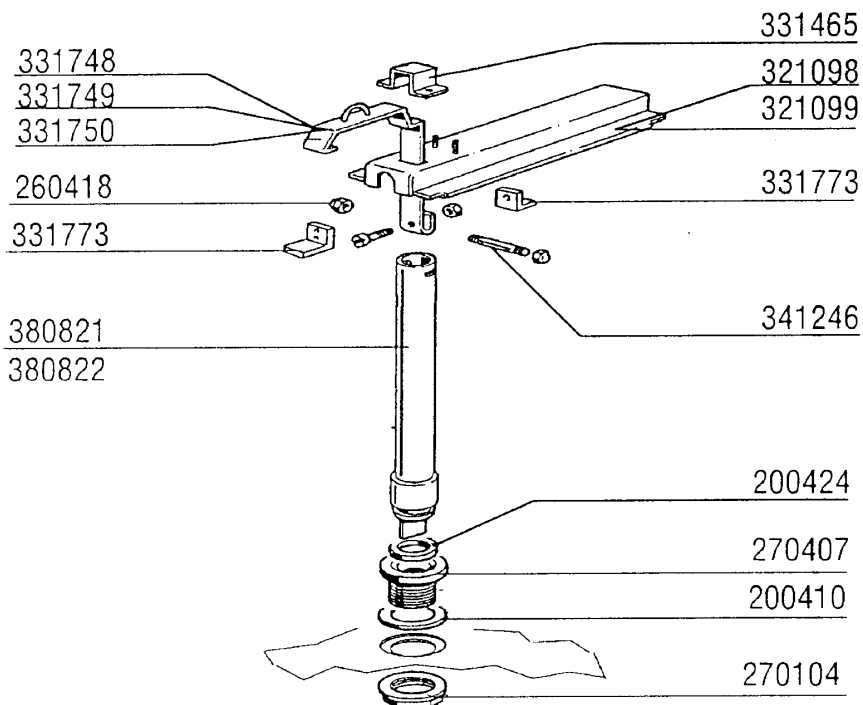
| CODE | DESCRIPTION |
|--------|--------------------------------|
| 120131 | SOLEN. L182Q31-ZB10A 1/2"24V |
| 150034 | CONNEX.F.SOLEN.VALVE 122.09.N |
| 160113 | TUBE IN POL. RETIC. 12 EST |
| 160201 | ELBOW F.TANK INLET MOPLN |
| 161102 | ELEMENT COVER MOPL. |
| 180109 | LOCK NUT 1 1/2" |
| 180128 | RING NUT 65,4 C140 C85 |
| 180132 | LOCK NUT 2" FOR OVERFLOW AC-AC |
| 180235 | PUMP SUCTION C85-140 |
| 180236 | PUMP SUCTION FOR AC-ACR-C155 |
| 180816 | STRAINER OF INLET PUMP AC-ACR |
| 190326 | ELBOW FOR OVERFLOW AC-ACR |
| 200116 | RUBBER HOSE 60X70 |
| 200127 | PVC HOSE D.35 |
| 200129 | HOSE 5X11 FOR PRESSURE SWITCH |
| 200410 | DRAIN OUTL.WASH.1 1/2"65X47X2 |
| 200412 | GASKET DRAIN 1 1/2" 45X33X3 |
| 200415 | AIR TRAP GASKET -F2 18,5X10X3 |
| 200815 | O-RING F. HEAT.ELEM. |
| 200906 | GASKET D.92X66X2 |
| 250806 | TANK FILL HOSE CLAMP - AC/ACR |
| 260407 | STAINLESS STEEL NUTS D10 UNI 5 |
| 270101 | HEXAGON LOCK NUT 1/2" |
| 270104 | LOCK NUT 1" 1/2 |
| 270107 | BRASS LOCK NUT 3/8" FL803 |
| 270407 | TANK DRAIN OUTLET ACR |
| 290217 | HOSE CLAMP ELBOW 12X3/8" TYPE |
| 321099 | SUPPORT |
| 330584 | WASH FILTER ACR |
| 331584 | ELBOW FOR AC-ACR OVERFLOW |
| 380830 | AIR TRAP ST/ST FOR AC-ACR-GMC |
| 450125 | ELASTIC CLAMP D. 10,4X9,8 |
| 450515 | STAINL.ST.SHIELD FOR 1 THERMOS |
| 450911 | DIGITAL THERMOSTAT MTR10P 24/5 |
| 460501 | GASKET 24X17X2 |



06 - 2001 S.A.G.

21 - Sanitizing system

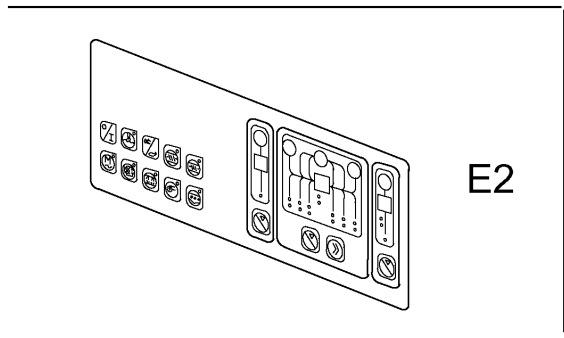
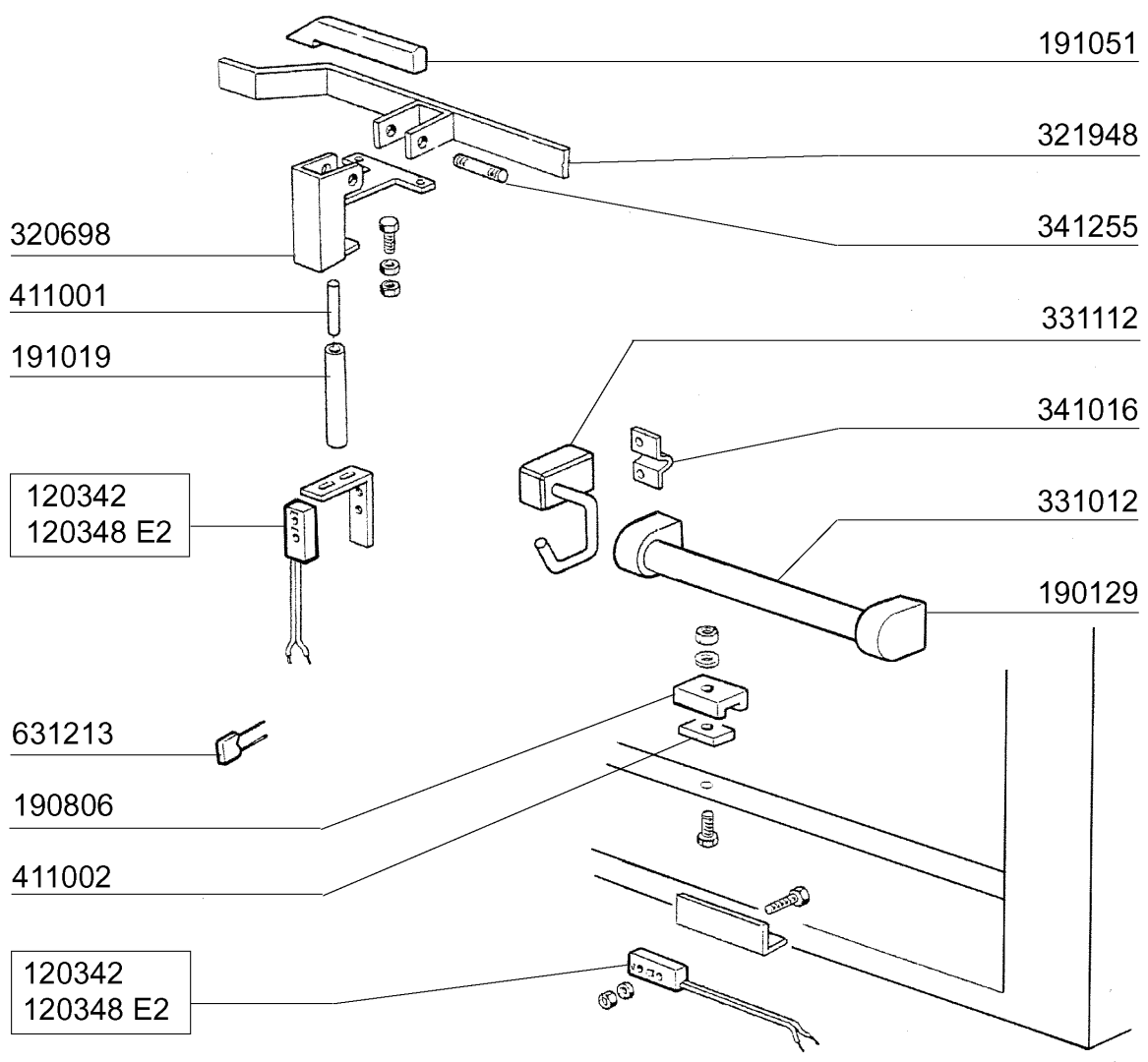
| CODE | DESCRIPTION |
|--------|--------------------------------|
| 120131 | SOLEN. L182Q31-ZB10A 1/2"24V |
| 150034 | CONNEC.F.SOLEN.VALVE 122.09.N |
| 160754 | PLUG FOR RINSE ARMS SE NE |
| 170926 | RINSE JET HOLDER S-SE-NE |
| 180213 | FLANGE F.JET LOCKING F2-C34 |
| 180403 | TEE-NIPPLE F2-F300-B10-11 |
| 190337 | CONNECTION 1/4" X 1/8" |
| 200113 | RUBBER HOSE 12 X 22 |
| 200415 | AIR TRAP GASKET -F2 18,5X10X3 |
| 200480 | GASKET F. RINSE CONNECT. |
| 200824 | O-RING 1,78X12,42X15,98 |
| 260226 | STAINL.ST TCP SCREW 4X12 A2 UN |
| 260402 | STAINLESS STEEL NUT D4 UNI 55 |
| 261005 | SCREW F. TEE UP.WASH F2-B41 |
| 270101 | HEXAGON LOCK NUT 1/2" |
| 280504 | MANIFOLD CONN.HOSE |
| 280516 | CONNECTION 14M X 2 |
| 290121 | BRASS PLUG 1/8" |
| 290215 | 1/2"BSP M/F UNION BRASS |
| 290410 | NIPPLE 1/2" |
| 380321 | RINSE JETS OV 1/8" 303 40LT 80 |
| 420167 | WASH ARM FOR SELF CLEANING |
| 420168 | WASH ARM FOR SELF CLEANING |
| 420338 | SELFCLEANING RAMP NE |
| 440607 | INJECTOR 24V 50HZ |
| 450104 | CLAMP FE ZN H=12,5 15-24 |
| 451123 | ELASTIC PIN 4X16 |
| 460502 | GASKET 30X21X2 |
| 460528 | GASKET 15X10X2 FOR RINSE NIPPE |



01-96

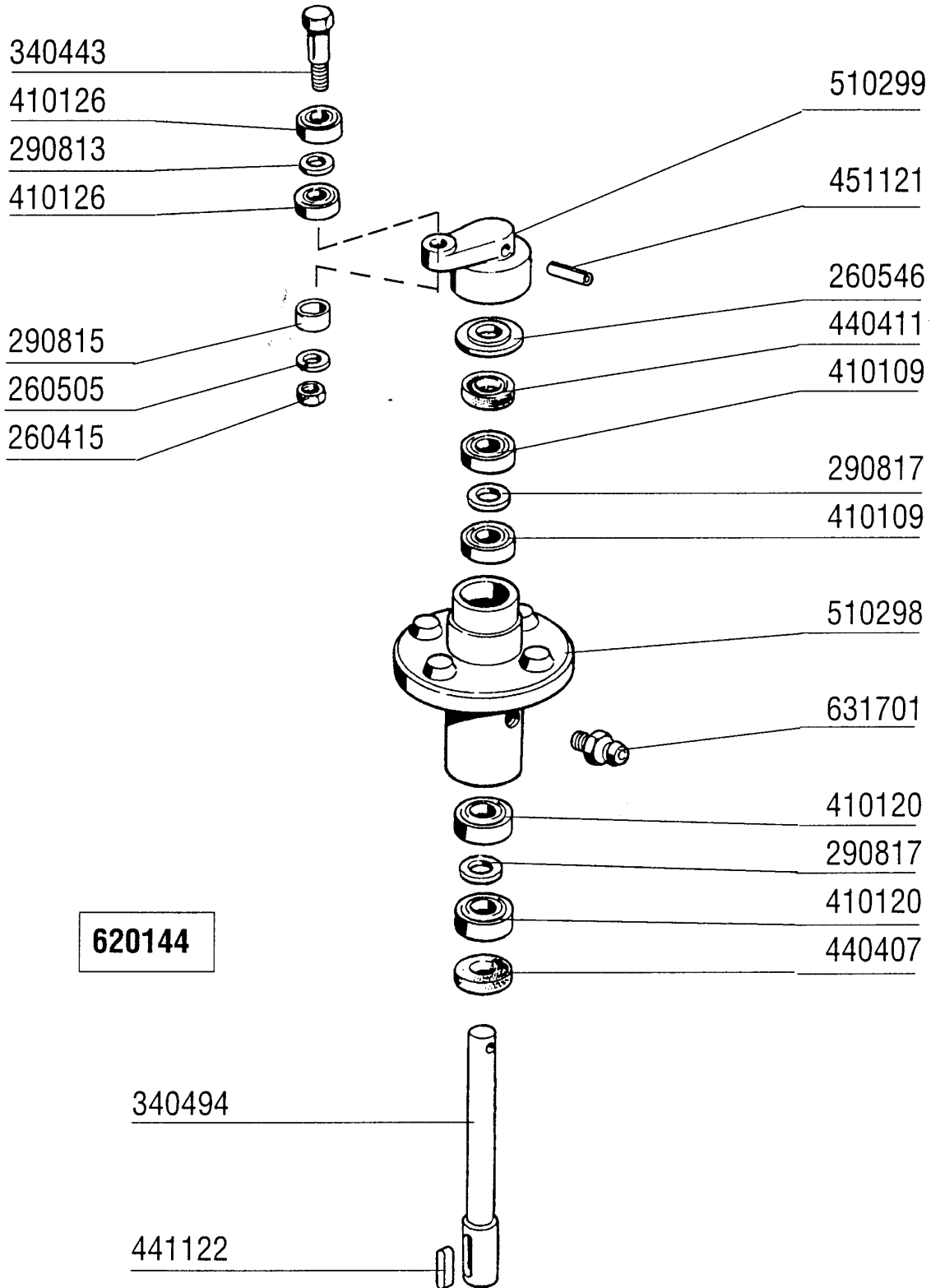
22 - Drain Parts

| CODE | DESCRIPTION |
|--------|--------------------------------|
| 160773 | PLUG FOR OVERFLOW PIPE |
| 160777 | OVERFLOW PIPE PLUG PREWASH AC- |
| 180126 | HANDLE F.OVERFLOW PIPE SNL |
| 200410 | DRAIN OUTL.WASH.1 1/2"65X47X2 |
| 200424 | O RINGS WASH/PRE-WASH ARMS |
| 200469 | STAND PIPE O RING 45X35,5X7 |
| 260418 | SELF-LOCKING NUT M4 |
| 270104 | LOCK NUT 1" 1/2 |
| 270407 | TANK DRAIN OUTLET ACR |
| 270409 | DRAIN OUTLET AC-ACR |
| 321098 | SUPPORT |
| 321099 | SUPPORT |
| 322251 | SUPPORT |
| 322252 | SUPPORT |
| 331465 | BRACKET FOR UNLOADING |
| 331748 | PREWASH OVERFLOW LEVER FOR AC- |
| 331749 | WASH OVERFLOW LEVER FOR AC-ACR |
| 331750 | WASH OVERFLOW LEVER-ACR CORNER |
| 331773 | BRACKET |
| 341246 | SHAFT FOR AC-ACR OVERFLOW |
| 342008 | OVERFLOW SPACER PREWASH TANK A |
| 342009 | OVERFLOW SPACER WASH TANK AC-A |
| 380821 | OVERFLOW PIPE WASH TANK ACR |
| 380822 | OVERFLOW PIPE PREWASH TANK ACR |
| 380831 | OVERFLOW PIPE PREWASH TANK AC- |
| 380832 | OVERFLOW PIPE WASH TANK AC-ACR |
| 451127 | ELASTIC PIN 5X34 |



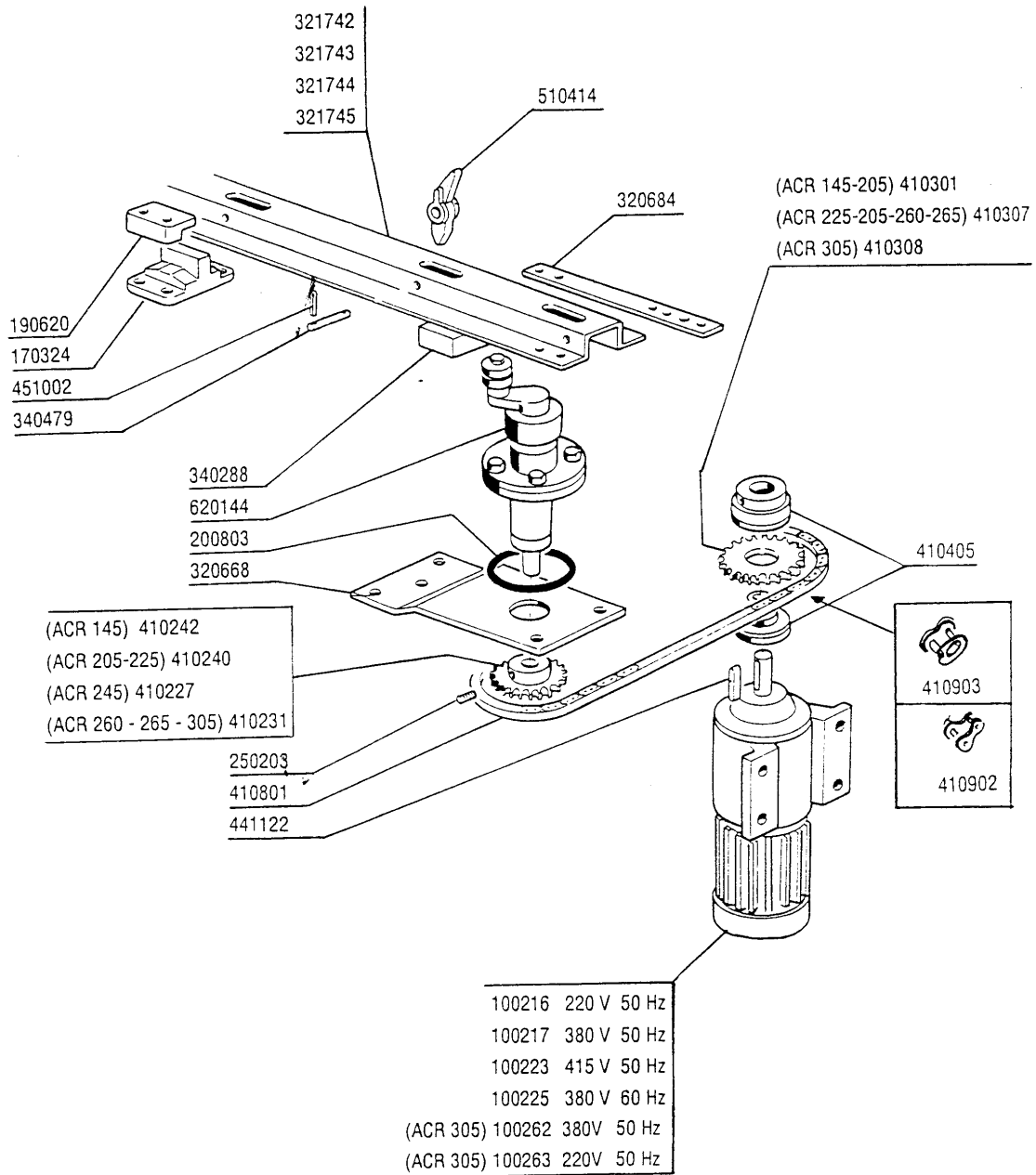
07 - 2002 S.A.G.

| CODE | DESCRIPTION |
|-------------|--------------------------------|
| 120342 | DOR MAGNETIC SWITCH |
| 120348 | MAGN.SWITCH (N.O.) |
| 190129 | HANDLE SUPPORT SE NE GREY |
| 190806 | MAGNET HOUSING |
| 191019 | MAGNET HOUSING S90 MOPL.-S.N.L |
| 191051 | SLIDING PAD SE SNL ECONOMIZER |
| 320698 | LEVER FOR ECONOMIZER SE SNL |
| 321948 | GUIDE |
| 331012 | HANDLE 412 MM DOOR SE NE G115 |
| 331112 | HOOK (331116) |
| 341016 | BRAKET FOR DOOR SECURITY HOOK |
| 341255 | PIN FOR ECONOMIZER SE SNL |
| 411001 | PERMANENT MAGNET 8X40 |
| 411002 | PERMANENT MAGNET 24X12 |
| 631213 | CAPACITOR 0,1MF |



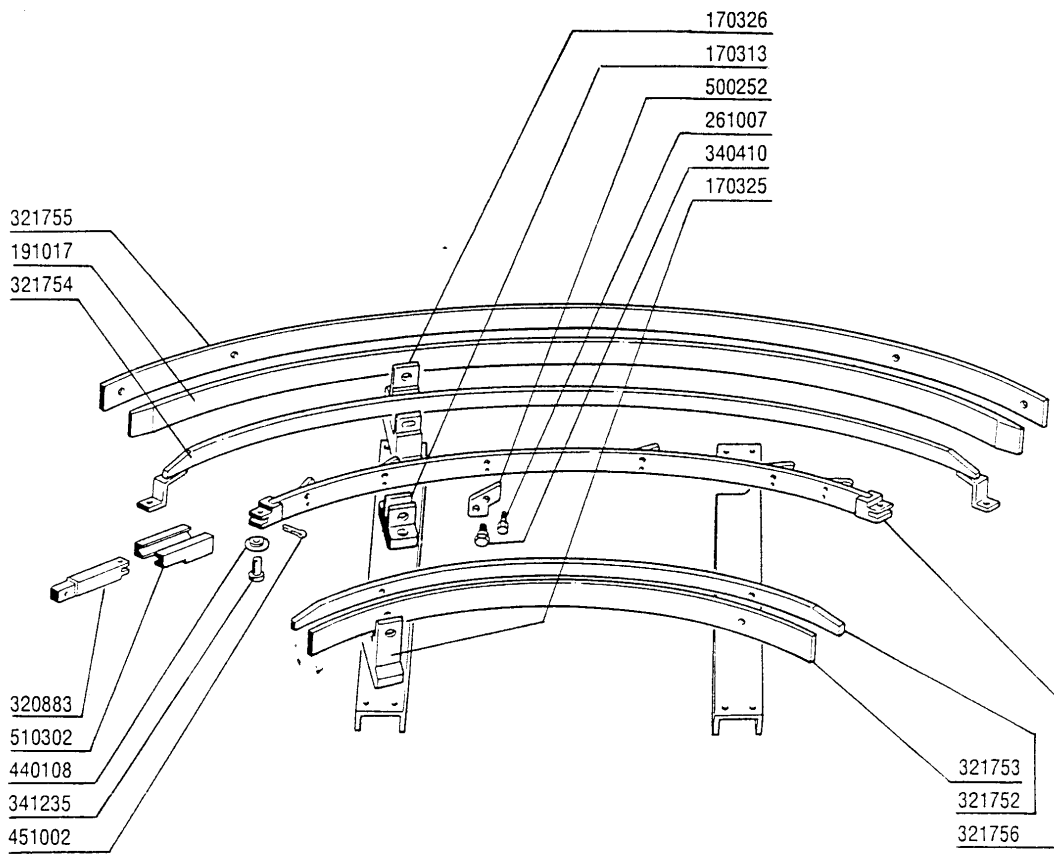
24 - Drive unit

| CODE | DESCRIPTION |
|--------|--------------------------------|
| 260415 | STAINLESS STEEL SELF-LOCKING N |
| 260505 | STAINL.STEEL FLAT WASHER D8 |
| 260546 | SLIDING WASHER STAINLESS STEEL |
| 290813 | PACKING PIECES BRASS S-F2 |
| 290815 | DISTANCE PIECE S3Ø BRASS |
| 290817 | BRASS DISTANCE PIECE 24X14 |
| 340443 | CRANK SHOULDER PIN |
| 340494 | DRIVE SHAFT S 3Ø |
| 410109 | BEARINGS 17X40X12 6203 |
| 410120 | BALL BEARING 17X35X10 |
| 410126 | BEARING 6201-2RS Z15 |
| 440407 | SEAL MIM 20X35X7 |
| 440411 | SEAL 17X40X7 |
| 441122 | DRIVE SHAFT KEY 6X6X25 UNI 660 |
| 451121 | ELAST.ROLL PINS 6X30 |
| 510298 | DRIVE HOUSING S 3Ø |
| 510299 | NICKELPLATED BRASS DRIVE CRANK |
| 620144 | DRIVE ASSEMBLY |
| 631701 | GREASE NIPPLE 9003 |



25 - Drive unit

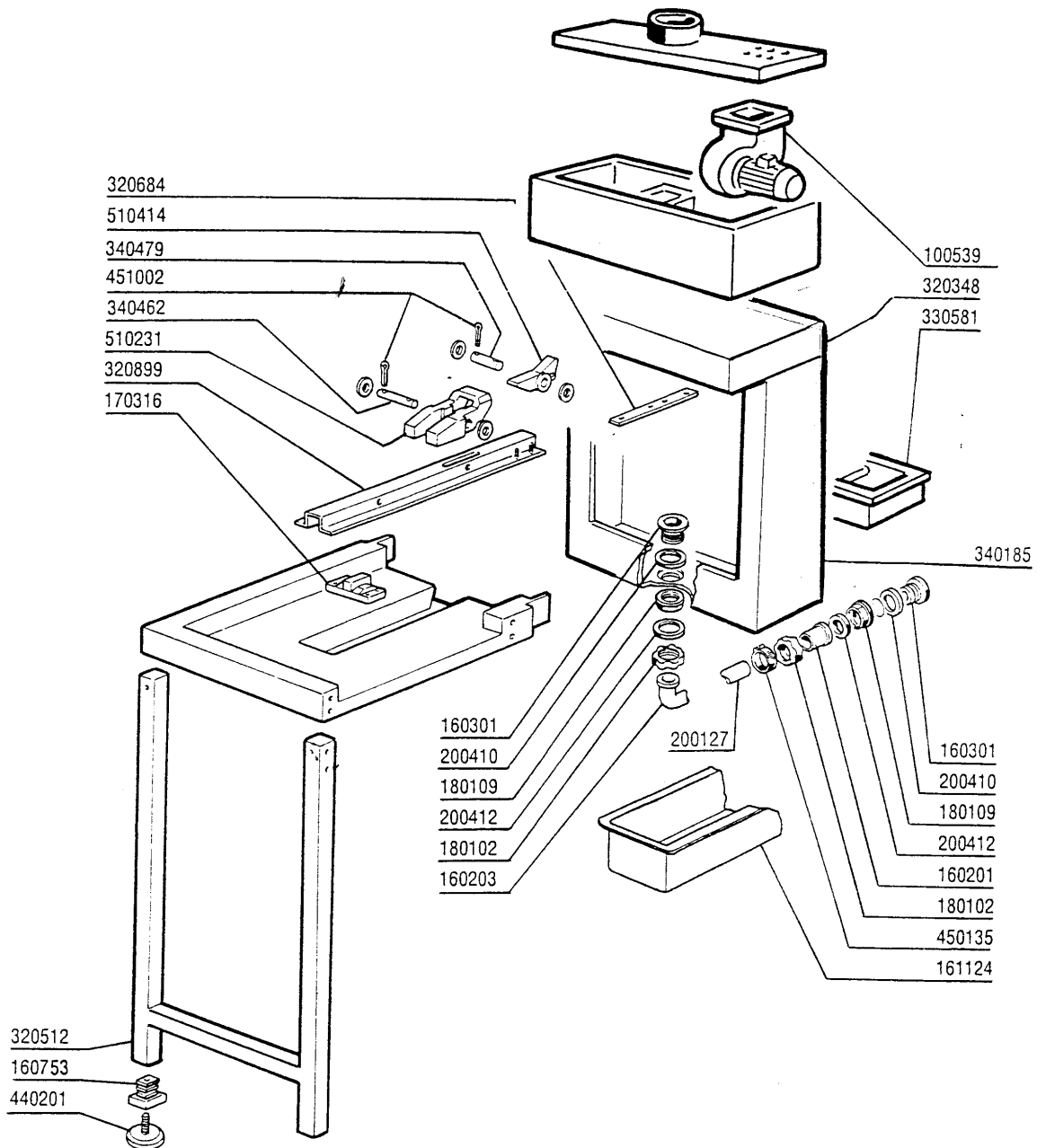
| CODE | DESCRIPTION |
|--------|--------------------------------|
| 100216 | DRIVE MOTOR KW 0,11/0,15 220V |
| 100217 | DRIVE MOTOR KW 0,11/0,15 380V |
| 100223 | DRIVE KW 0,11/0,15-415/3 R40DT |
| 100225 | DRIVE MOTOR KW 0,12-220/380V-6 |
| 100262 | DRIVE MOTOR KW 0,18-0,3 380V |
| 100263 | DRIVE MOTOR KW 0,18/0,3 - 220V |
| 170324 | GUIDE SUPPORT SE-S2200-290 |
| 190620 | CLAMPING PIECES S 3 |
| 200803 | OR GASKET 3,53X98,02X105,08 |
| 250203 | GRUB SCREW 8X12 |
| 320668 | PLATE |
| 320684 | BRACKET |
| 321742 | GUIDE |
| 321743 | GUIDE |
| 321744 | GUIDE |
| 321745 | GUIDE |
| 340288 | CHANNEL F.DRIVE BEARING S3Ø-SE |
| 340479 | PAWL PINS SNL-SE |
| 410227 | TURND PINION Z16-1/2"-D.20 |
| 410231 | TURND PINION Z14 1/2"-D.20 |
| 410240 | TURND PINION Z17-1/2"-D.20 |
| 410242 | TURND PINION Z23-1/2"-D.20 |
| 410301 | CROWN DISCS 28T PITCH 1/2" |
| 410307 | CROWN DISCS 1/2" PITCH |
| 410308 | CROWN DISCS 35T 1/2"PITCH |
| 410405 | TORQUE LIMITER D.25 NTP SE/1 |
| 410801 | DRIVE CHAIN 1/2" N-S |
| 410902 | FALSE CHAIN LINK 1/2" |
| 410903 | CHAIN JOINT 1/2" |
| 441122 | DRIVE SHAFT KEY 6X6X25 UNI 660 |
| 451002 | COTTER PIN STAINL.ST. D2X12 |
| 510414 | NICKEL-PLATED PAWL SNL-SE |
| 620144 | DRIVE ASSEMBLY |



26 - Corner Wash Guide

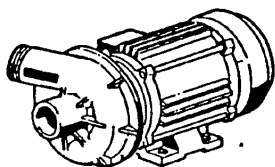
| CODE | DESCRIPTION |
|--------|--------------------------------|
| 170313 | FRICTION PAD |
| 170325 | INT. GUIDE SUPPORT SE CORNER |
| 170326 | EXT.GUIDE SUPPORT SE CORNER |
| 191017 | ANTIFRICT.COVER F.EXT.GUIDE CO |
| 261007 | SPECIAL SCREW 5M |
| 320883 | GUIDE HINGE ACR |
| 321752 | GUIDE |
| 321753 | GUIDE |
| 321754 | GUIDE |
| 321755 | GUIDE |
| 321756 | GUIDE |
| 340410 | PAWL PINS (WASH) STAINLESS STE |
| 341235 | PIVOT PIN SE |
| 440108 | WHEEL F.CENTRAL SLIDING |
| 451002 | COTTER PIN STAINL.ST. D2X12 |
| 500252 | PAWLS FOR WASHING /ACR CORNER |
| 510302 | GUIDE FOR WHEEL SE |

27 - Side Loading Table



27 - Side Loading Table

| CODE | DESCRIPTION |
|--------|--------------------------------|
| 100539 | EXHAUST FAN F.SPLASH GUARD 220 |
| 160201 | ELBOW F.TANK INLET MOPLN |
| 160203 | ELBOW 1"1/2 N-S-F-C /DRAIN |
| 160301 | DRAIN OUTLET 1"1/2 C-S-N |
| 160753 | PLUG 40X40X1 |
| 161124 | DRYING OUTLET HOSE PROTECTION |
| 170316 | SUPPORT OF PAWL BAR GUIDE CO |
| 180102 | DRAIN PIPE NUT 1"1/2 F45-55 |
| 180109 | LOCK NUT 1 1/2" |
| 200127 | PVC HOSE D.35 |
| 200410 | DRAIN OUTL.WASH.1 1/2"65X47X2 |
| 200412 | GASKET DRAIN 11/2" 45X33X3 |
| 320348 | BASE TOP FOR SPLASH HOOD |
| 320512 | TABLES LEG |
| 320684 | BRACKET |
| 320899 | GUIDE |
| 330581 | DRAWER FILTER EXTENTION HOODS |
| 340185 | HOOD |
| 340462 | SHORT TRAY CARRIER PIN GM-S290 |
| 340479 | PAWL PINS SNL-SE |
| 440201 | RUBBER FOOT D.60X10 |
| 450135 | CLAMP FE ZN. 44-56 H=12,2 |
| 451002 | COTTER PIN STAINL.ST. D2X12 |
| 510231 | PAWL /CORNER LOAD. |
| 510414 | NICKEL-PLATED PAWL SNL-SE |

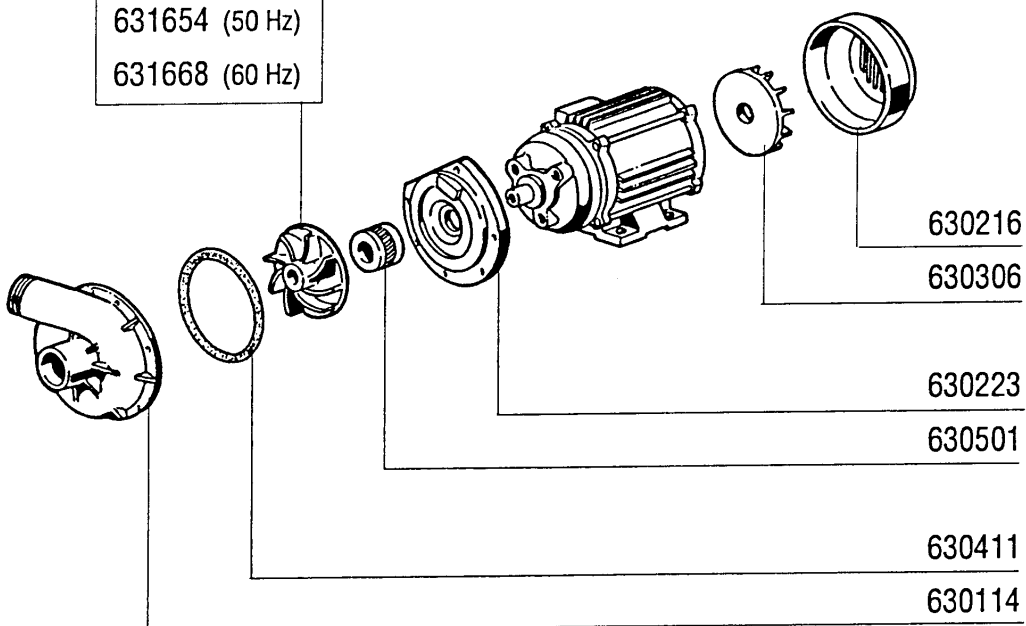


100703 (220/380 V 50 Hz)

100712 (240/415 V 50 Hz)

631654 (50 Hz)

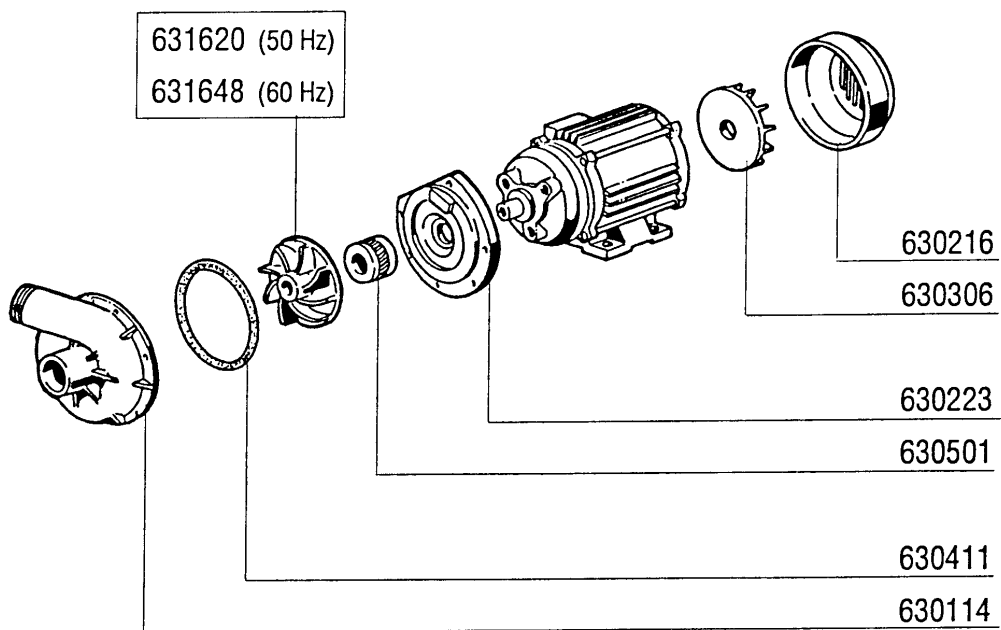
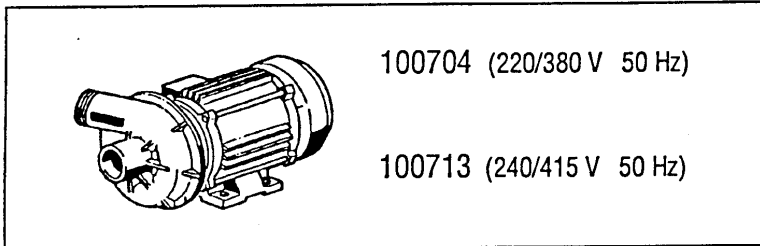
631668 (60 Hz)



1 - 4 - 95

28 - Prewash pump 600mm

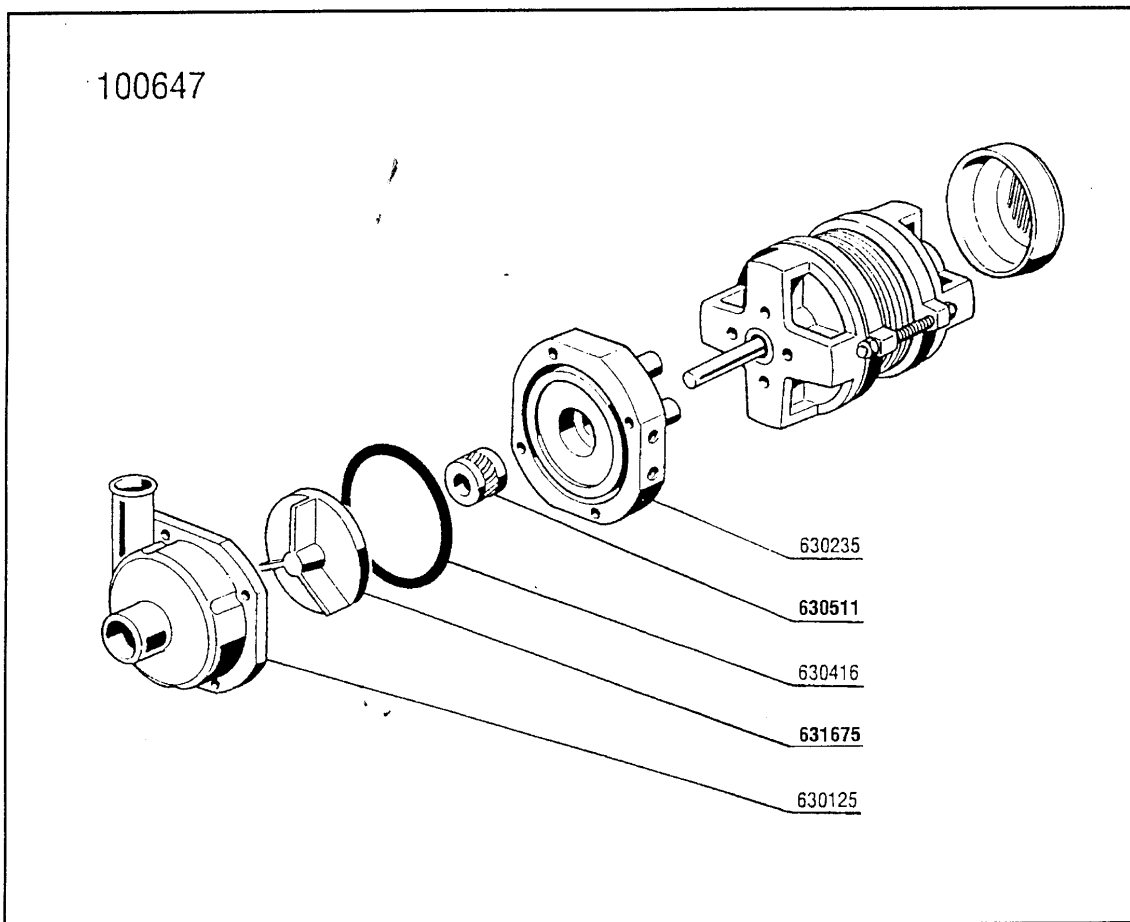
| CODE | DESCRIPTION |
|-------------|-------------------------------|
| 100703 | PUMP 1,5HP 220/380 50HZ 1241 |
| 100712 | PUMP 1,5HP 240/415 1241 |
| 630114 | VOLUTE FI HP2-2,7-3-3,2 |
| 630216 | FAN HOUSING FIR HP 2-3 |
| 630223 | BACK PLATE PUMP HP2-3-3,2 |
| 630306 | PUMP FAN IMPELLOR FI HP.2-3 |
| 630411 | O-RING PUMP FI HP 2-2,7 |
| 630501 | SEAL FOR PUMP HP 2-3-3,2 |
| 631654 | PUMP IMPELLER 1,5HP 50HZ 1241 |
| 631668 | IMPELLER D.85 HP1,5-60HZ-1241 |



1 - 4 - 95

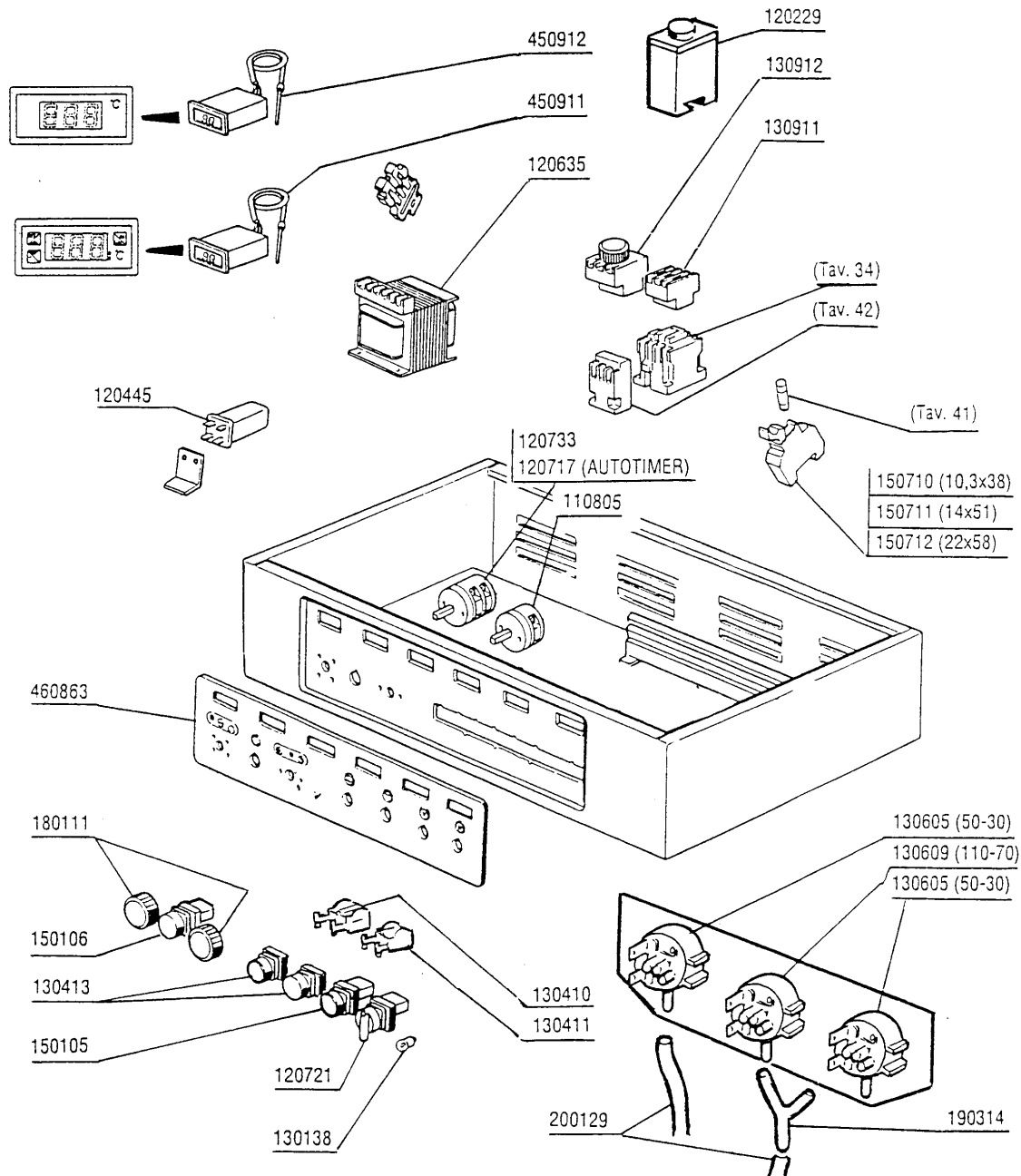
29 - Wash pump 900mm

| CODE | DESCRIPTION |
|-------------|--------------------------------|
| 100704 | PUMP HP 3,5 220/380 50HZ 1244 |
| 100713 | PUMP 3,5HP 240/415 50HZ ACR |
| 630114 | VOLUTE FI HP2-2,7-3-3,2 |
| 630216 | FAN HOUSING FIR HP 2-3 |
| 630223 | BACK PLATE PUMP HP2-3-3,2 |
| 630306 | PUMP FAN IMPELLOR FI HP.2-3 |
| 630411 | O-RING PUMP FI HP 2-2,7 |
| 630501 | SEAL FOR PUMP HP 2-3-3,2 |
| 631620 | IMPELLER HP 3-3,2 1205-43 |
| 631648 | IMPELLER 1243 HP3,2 60HZ D.110 |



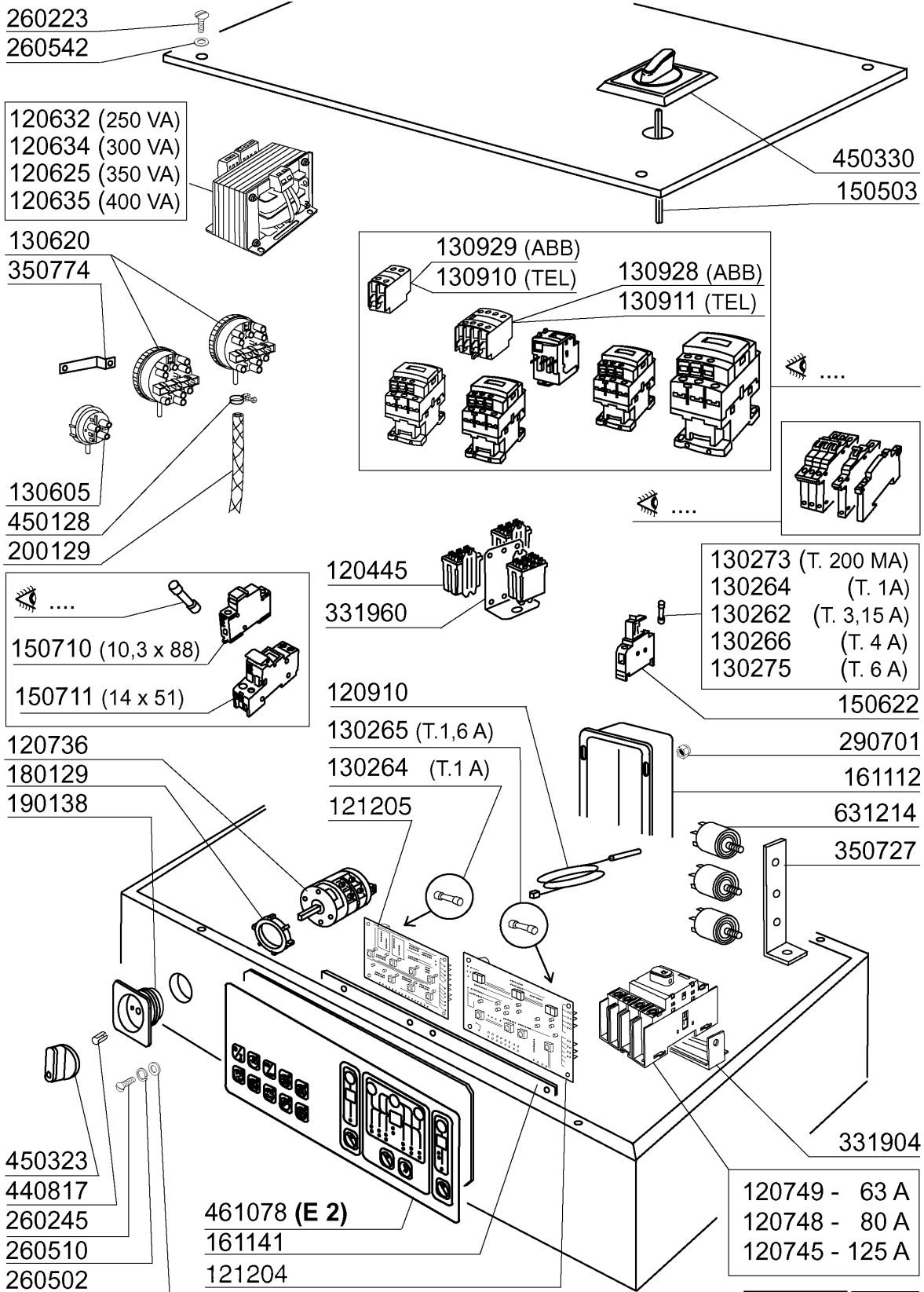
30 - Ecorinse Pump

| CODE | DESCRIPTION |
|--------|--------------------------------|
| 100647 | PUMP HP 0,20 220/240/3 4226 |
| 630125 | VOLUTE 0,12/0,3(2212-29) |
| 630235 | PUMP COVER 0,12/0,3 2212-19 |
| 630416 | OR FOR VOLUTE 0,12/0,3 |
| 630511 | PUMP SEAL HP 0,10 82 |
| 631675 | ST/ST PUMP IMPELLER 0,2HP 2226 |



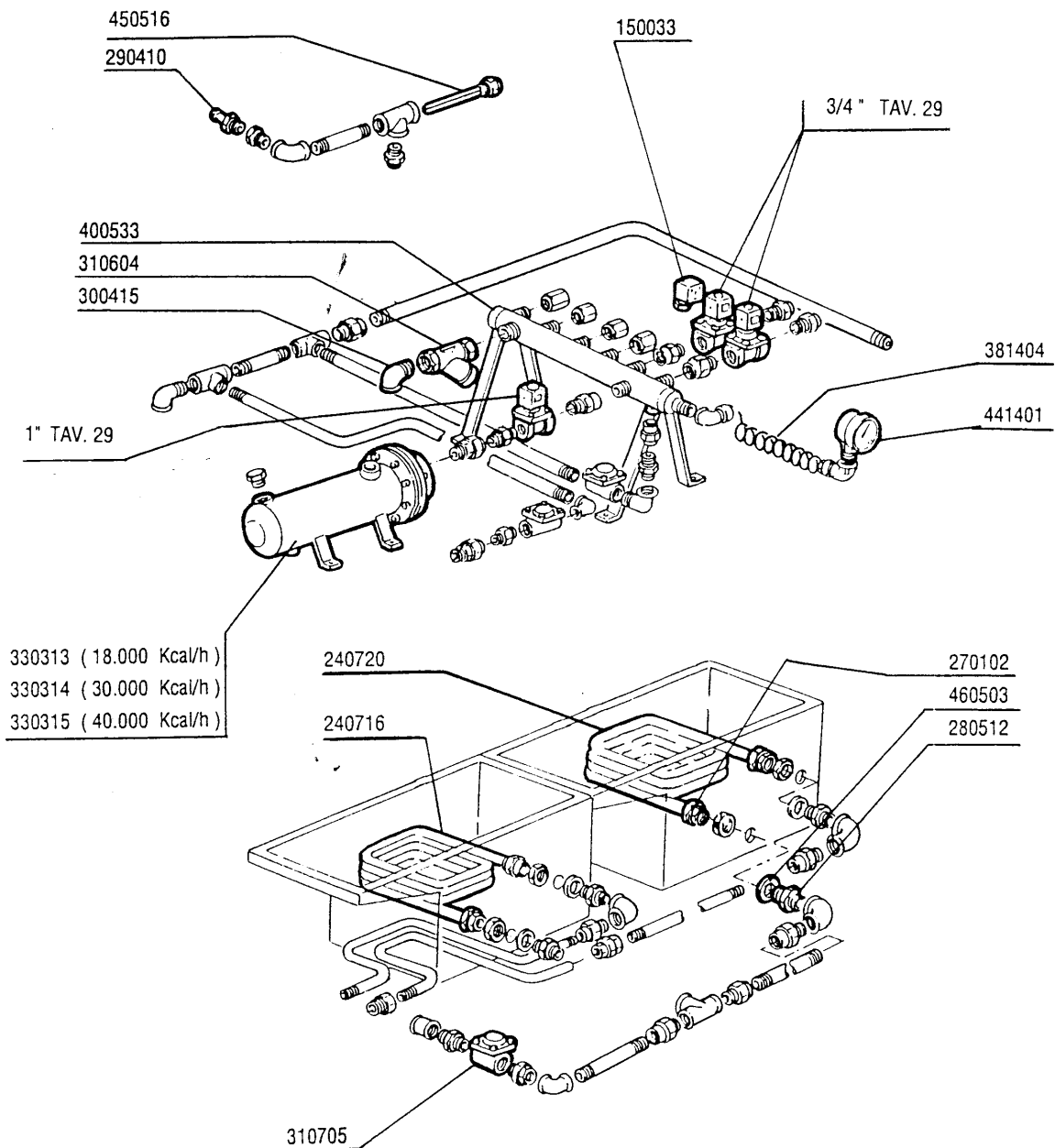
31 - Control Box

| CODE | DESCRIPTION |
|--------|--------------------------------|
| 110805 | SWITCH THREEPOLE |
| 120229 | ELECTR.TIMER 24V AUTOTIMER S-S |
| 120445 | AUXILIARY RELAY S.B2/3 24V |
| 120635 | TRANSFORMER 400VA220-240-380-4 |
| 120717 | SWITCH 25 AMP FIVE-POLE S-SE A |
| 120721 | SELECT.SWITCHRM300N-SHORT KNOB |
| 120733 | 4-POLE SWITCH 25A 500V |
| 130138 | LIGHT WITH BAYONET COUPLING 3W |
| 130410 | STOP CONTACT F40 CN RED |
| 130411 | START CONTACT YELLOW |
| 130413 | GREEN PUSH BUTTON |
| 130605 | PRESSURE SWITCH 50-30 1 LEVEL |
| 130609 | 1 LEVEL PRESSURE SWITCH 110-70 |
| 130911 | CONTACT LA1 D40 A65 |
| 130912 | TIMER CONTACT 0,1/30SEC. LA3D2 |
| 150105 | LAMP RED D.22X5 |
| 150106 | LAMP GREEN 22X5 |
| 150710 | FUSE CARRIER 10,3X38 ART.21401 |
| 150711 | FUSE CARRIER 14X51 ART.21501 |
| 150712 | FUSE CARRIER 22X58 ART.21601 |
| 180111 | BLACK KNOB |
| 190314 | Y-NIPPLE OF PRESS.SWITCH N 2S |
| 200129 | HOSE 5X11 FOR PRESSURE SWITCH |
| 450911 | DIGITAL THERMOSTAT MTR10P 24/5 |
| 450912 | DIGIT.THERMOMETER MT10P V24/50 |
| 460863 | PANEL (460865) |



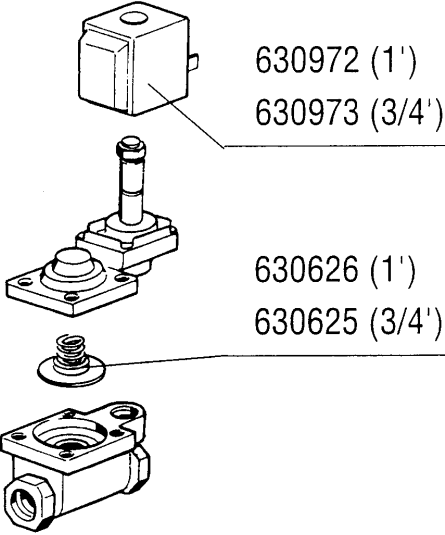
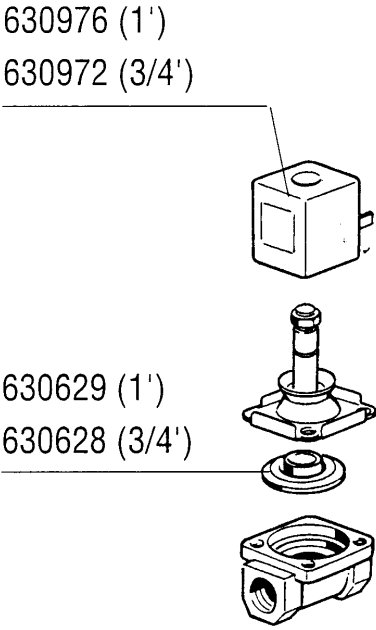
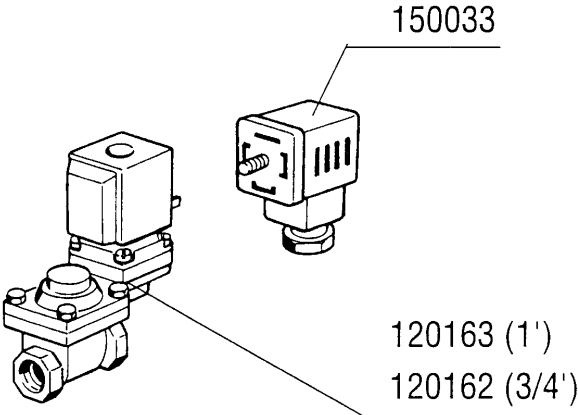
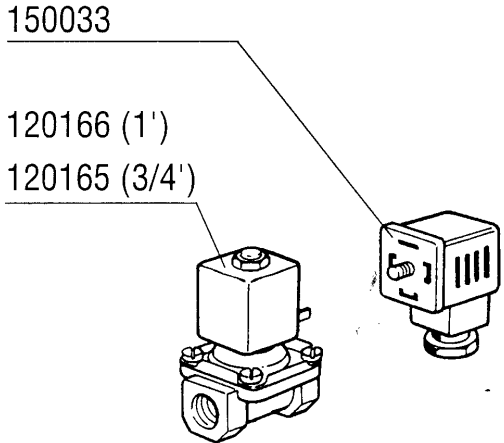
01 - 2002 | S. AG.

| CODE | DESCRIPTION |
|--------|--------------------------------|
| 120445 | AUXILIARY RELAY S.B2/3 24V |
| 120625 | TRANSFOR.350VA 225*415/12V-24V |
| 120632 | TRANSFORMER 250VA220-240-380-4 |
| 120634 | TRANSFORMER 300VA220-240-380-4 |
| 120635 | TRANSFORMER 400VA220-240-380-4 |
| 120736 | 4 POLE MAIN SWITCH 25A 500V |
| 120745 | MAIN SWITCH 4 POLE 125A |
| 120748 | MAINSWITCH 80A 4P |
| 120749 | MAINSWITCH 63A 4P |
| 120910 | ELECTRONIC TOUCH PAD CONTROLS |
| 121204 | ELECTRONIC PANEL THERMOREG.7+1 |
| 121205 | "ELECTRONIC 2" PANEL |
| 130262 | FUSE 5X20 T315MA |
| 130264 | FUSE 5X20 1A |
| 130265 | FUSE 5X20 1,6A |
| 130266 | FUSE 5X20 4A |
| 130273 | FUSE 5X20 250MA GLAS |
| 130275 | FUSE 5X20 6,3A GLAS |
| 130605 | PRESSURE SWITCH 50-30 1 LEVEL |
| 130620 | PRESSURE SWITCH 3 LEVEL 50-30/ |
| 130910 | CONTACT LA1 D20 A65 |
| 130911 | CONTACT LA1 D40 A65 |
| 130928 | CONTACT ABB 4NO |
| 130929 | CONTACT ABB 1NO/1NC 30" |
| 150503 | EXTENTION FOR MAIN SWITCH |
| 150622 | FUSE HOLDER SIEMENS 1,5MM-6,3A |
| 150710 | FUSE CARRIER 10,3X38 ART.21401 |
| 150711 | FUSE CARRIER 14X51 ART.21501 |
| 161112 | BACK COVER CHANNEL 300 S N |
| 161141 | PROTECTION |
| 180129 | NUT FOR MAIN SWITCH SUPPORT |
| 190138 | SUPPORT |
| 200129 | HOSE 5X11 FOR PRESSURE SWITCH |
| 260223 | M5X12 MSH/HD SCREW SPECIAL S/S |
| 260245 | SPECIAL SCREW TC 3,5X16 |
| 260502 | S/S FLAT WASHER D.4 |
| 260510 | GROWER WASHER D.4 |
| 260542 | WASHER D.5 |
| 290701 | HEXAGON BLIND NUTS GM H12 |
| 331904 | BRACKET |
| 331960 | BRACKET |
| 350727 | BRACKET |
| 350774 | BRACKET |
| 440817 | SNAP RING LSCB/1853/17/00 |
| 450128 | CLAMP |
| 450323 | KNOB FOR BC-BR-C95-C155 |
| 450330 | KNOB FOR MAIN SWITCH |
| 461078 | PLATE "ELECTRONIC 2" |
| 631214 | ANTI-NOISE FILTER 4011135007 3 |



33 - Steam Version

| CODE | DESCRIPTION |
|--------|--------------------------------|
| 150033 | CONNEX.F.SOLEN.VALVE 182.09.N |
| 240716 | STEAM COIL G66-S3 |
| 240720 | S/S STEAM COIL 12.000KCAL ACR/ |
| 270102 | LOCK NUT 3/4" |
| 280512 | STEAM COIL CONNECTION |
| 290410 | NIPPLE 1/2" |
| 300415 | ELL 2" MF |
| 310604 | STRAINERS JU 2" MOD.45 |
| 310705 | STEAM TRAPS MK25/3 D.1/2" |
| 330313 | STEAM BOILER 18000KCAL/H |
| 330314 | STEAM BOILER 30000 KCAL/H |
| 330315 | STEAM BOILER 40000KCAL/H |
| 381404 | HOSE STEAM GAUGE |
| 400533 | ST/ST STEAM MANIFOLD FOR NE MA |
| 441401 | PRESSURE GAUGE 60 SCALO-4CR1/4 |
| 450516 | THERMOSTAT SHIELD FOR 2 TERMOS |
| 460503 | SEALING WASHER 38X27X2(3/4) |



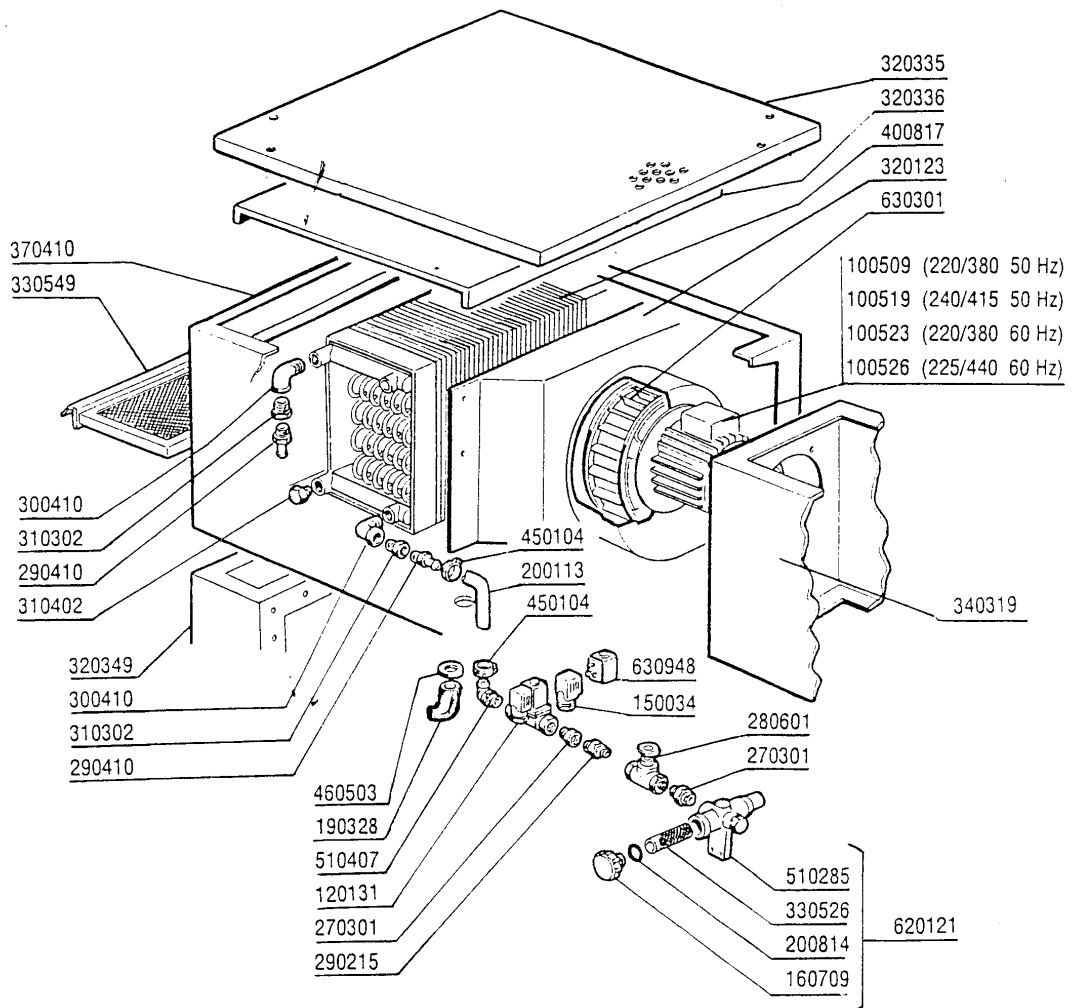
0 ÷ 2 bar

0,5 ÷ 2,5 bar

34 - Steam solenoid valve

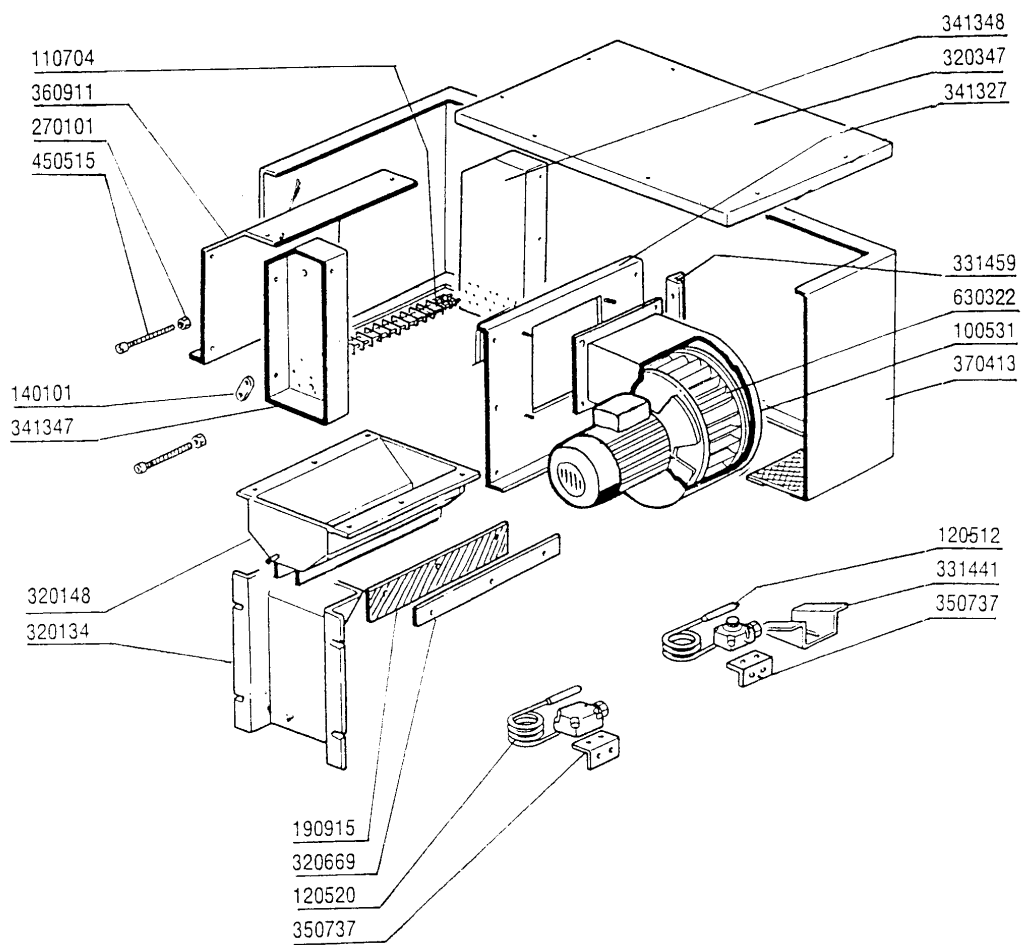
| CODE | DESCRIPTION |
|--------|--------------------------------|
| 120162 | SOLENOID VALVE L145R1Z734A 3/4 |
| 120163 | SOLEN.VAL.ST.L145R1Z234A 1"24V |
| 120165 | SOLEN.VALVE ST.24V50HZ 3/4" |
| 120166 | STEAM SOLEN.VALVE 1" 24V-50 |
| 150033 | CONNEC.F.SOLEN.VALVE 182.09.N |
| 630625 | KIT F.SOLEN.VALVE |
| 630626 | KIT FOR SOLENOID VALVE 145 1" |
| 630628 | KIT F.SOLEN.V.L153D1 3/4" |
| 630629 | KIT SOLENOID VALVE 1" STEAM L1 |
| 630972 | COIL Z534A/V.24-L145A-3/4 |
| 630973 | COIL Z614A/V.24-L145-3/4 A |
| 630976 | COIL Z114A/V24/50HZ L153-1" |

35 - Steam Condenser



35 - Steam Condenser

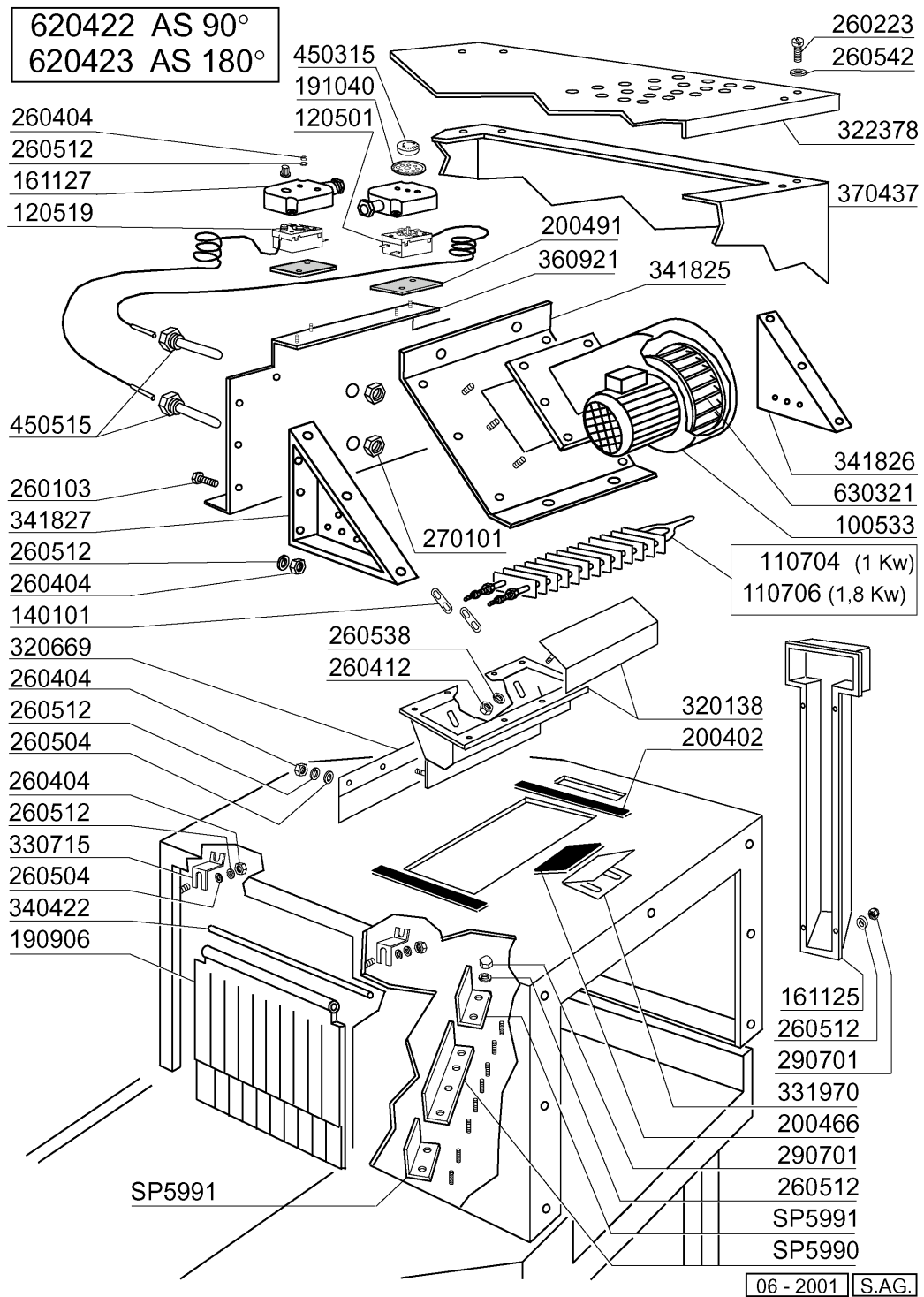
| CODE | DESCRIPTION |
|--------|--------------------------------|
| 100509 | FAN 0,75HP 220/415 V164/2 |
| 100519 | FAN HP0,10 220/380 VR90CAT |
| 100523 | FAN 0,75 HP 220/380V-60HZ |
| 100526 | FAN HP 0,75 255/440-60-VR184 |
| 120131 | SOLE. L182Q31-ZB10A 1/2"24V |
| 150034 | CONNec.F.SOLEN.VALVE 122.09.N |
| 160709 | KNOB OF MANIFOLD F. SOLEN. VAL |
| 190328 | DRAIN 3/4" |
| 200113 | RUBBER HOSE 12 X 22 |
| 200814 | O-RING 34,52X41,58X3,53 |
| 270301 | BRASS NIPPLES 1/2" |
| 280601 | GATE VALVE 1/2" BRASS |
| 290215 | 1/2"BSP M/F UNION BRASS |
| 290410 | NIPPLE 1/2" |
| 300410 | ELL 3/4" MF |
| 310302 | NIPPLE 3/4"-1/2" |
| 310402 | PLUG 3/4" |
| 320123 | VORTEX BREAKER F.STEAM CONDENS |
| 320335 | TOP PANEL FOR STEAM CONDENSER |
| 320336 | TOP PANEL FOR STEAM CONDENSER |
| 320349 | TOP FOR SPLASH HOOD WITH STEAM |
| 330526 | FILTERS 22X28 SOLENOID V.MANIF |
| 330549 | CONDENSATE UNIT FILTER |
| 340319 | PANEL |
| 370410 | CONDENSER MODULE |
| 400817 | BATTERY FOR STEAM CONDENSER + |
| 450104 | CLAMP FE ZN H=12,5 15-24 |
| 460503 | SEALING WASHER 38X27X2(3/4) |
| 510285 | SOLENOID VALVE MANIFOLD - BRAS |
| 510407 | NIPPLE FOR BOILER N S |
| 620121 | TWIN SOLENOID VALVE MANIFOLD |
| 630301 | FAN IMPELLOR FOR 100509 |
| 630948 | COIL Z610A 24V 50/60-L180V01 |



36 - Blower Dryer

| CODE | DESCRIPTION |
|-------------|--------------------------------|
| 100531 | FAN HP1,5-220/380/415-BPN9 |
| 110704 | HEAT.ELEMENT/DRYING 1000W 220V |
| 120512 | THERMOSTAT IM50/210Ø |
| 120520 | SECURITY THERMOSTAT 110-130Ø |
| 140101 | BRASS CONNECT. PLATE HEAT.ELEM |
| 190915 | FIXING PLATE |
| 270101 | HEXAGON LOCK NUT 1/2" |
| 320134 | DRYER DEFLECTOR |
| 320148 | DEFLECTOR F. DRYER |
| 320347 | COVER FOR DRYER |
| 320669 | FIXING PLATE |
| 331441 | BRACKET FOR DRYING VENTILATOR |
| 331459 | BRACKET FOR DRYING VENTILATOR |
| 341327 | FAN SUPPORT |
| 341347 | RIGHT SUPPORT |
| 341348 | LEFT SUPPORT |
| 350737 | BRACKET FOR CLOSED THERMOSTATS |
| 360911 | PANEL |
| 370413 | DRYING MODULE |
| 450515 | STAINL.ST.SHIELD FOR 1 THERMOS |
| 630322 | FAN IMPELLOR 1,5HP BPN9S |

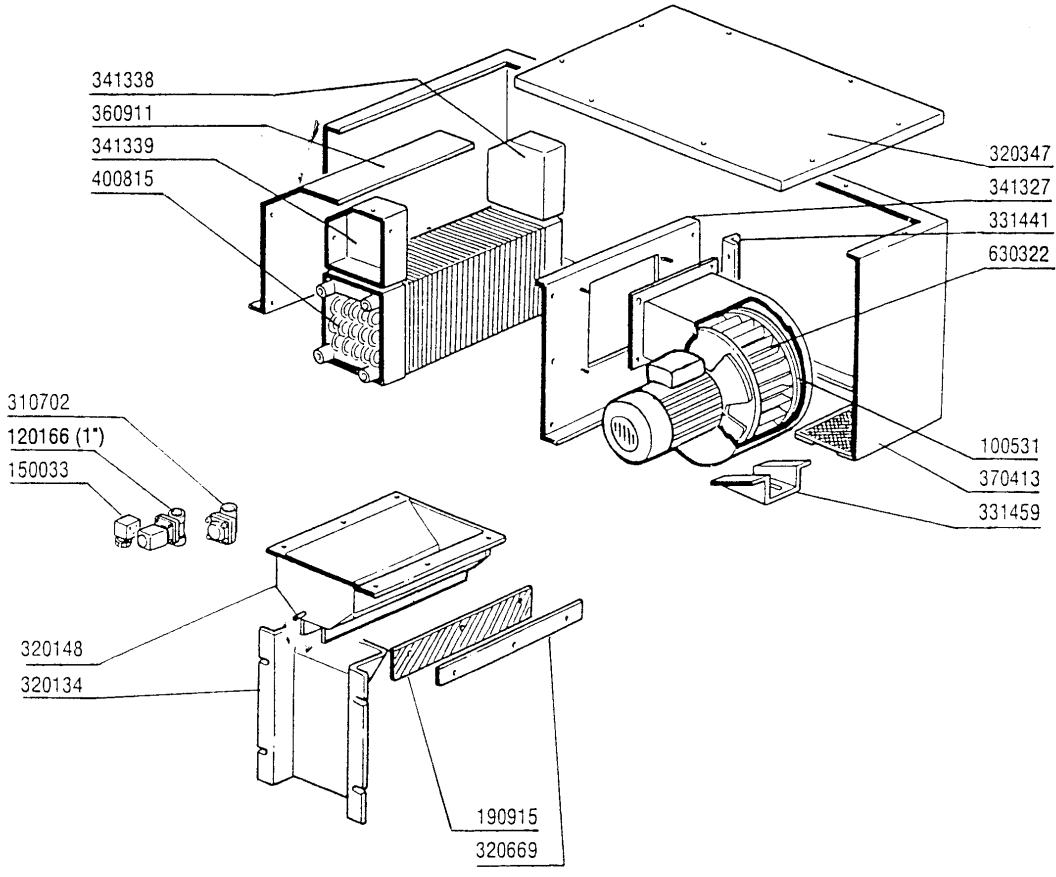
37 - Electric dryer on exit curve 90°-180°



37 - Electric dryer on exit curve 90°-180°

| CODE | DESCRIPTION |
|--------|--------------------------------|
| 100533 | FAN HP 1 220-240-380-415V VRP2 |
| 110704 | HEAT.ELEMENT/DRYING 1000W 220V |
| 110706 | DRYER HEAT.ELEMENT 1500W 230V |
| 120501 | THERMOSTAT 30/90°C |
| 120519 | SECURITY THERMOSTAT 95-125°C |
| 140101 | BRASS CONNECT. PLATE HEAT.ELEM |
| 161125 | BACK COVER CHANNEL S NL |
| 161127 | BOX FOR THERMOSTAT |
| 190906 | CURTAIN IN/OUT 620X480 |
| 191040 | FRAME F.THERMOSTAT KNOB |
| 200402 | SELF-ADHES.RUBB.SPONGE STRIPS |
| 200466 | GASKET 100 X 4 |
| 200491 | BACK GASKET OF THERMOSTAT BOX |
| 260103 | SCREW TE 6X12 |
| 260223 | M5X12 MSH/HD SCREW SPECIAL S/S |
| 260404 | STAINLESS STEEL NUTS D6 UNI 55 |
| 260412 | SELF-LOCKING NUT M6 |
| 260504 | ST/ST FLAT WASHER D6 |
| 260512 | ST/ST GROWER WASHER D6 |
| 260538 | WASHER 18X6X1,5 ST/ST |
| 260542 | WASHER D.5 |
| 270101 | HEXAGON LOCK NUT 1/2" |
| 290701 | HEXAGON BLIND NUTS GM H12 |
| 320138 | DEFLECTOR F. DRYER |
| 320669 | FIXING PLATE |
| 322378 | COVER |
| 330715 | UPPER BRACKET CURTAIN SNL-SE |
| 331970 | FAN SUPPORT |
| 340422 | SHAFT FOR CURTAIN AC-ACR |
| 341825 | DRYER FAN SUPPORT |
| 341826 | RIGHT SUPPORT |
| 341827 | LEFT SUPPORT |
| 360921 | BACK PANEL FOR DRYER 3-4,5KW |
| 370437 | DRYING MODULE |
| 450315 | KNOB F. THERMOSTAT 90°C |
| 450515 | STAINL.ST.SHIELD FOR 1 THERMOS |
| 620422 | DRYER |
| 620423 | DRYER |
| 630321 | FAN IMPELLOR FOR C 100533 1HP |
| SP5990 | VORTEX BREAKER |
| SP5991 | VORTEX BREAKER |

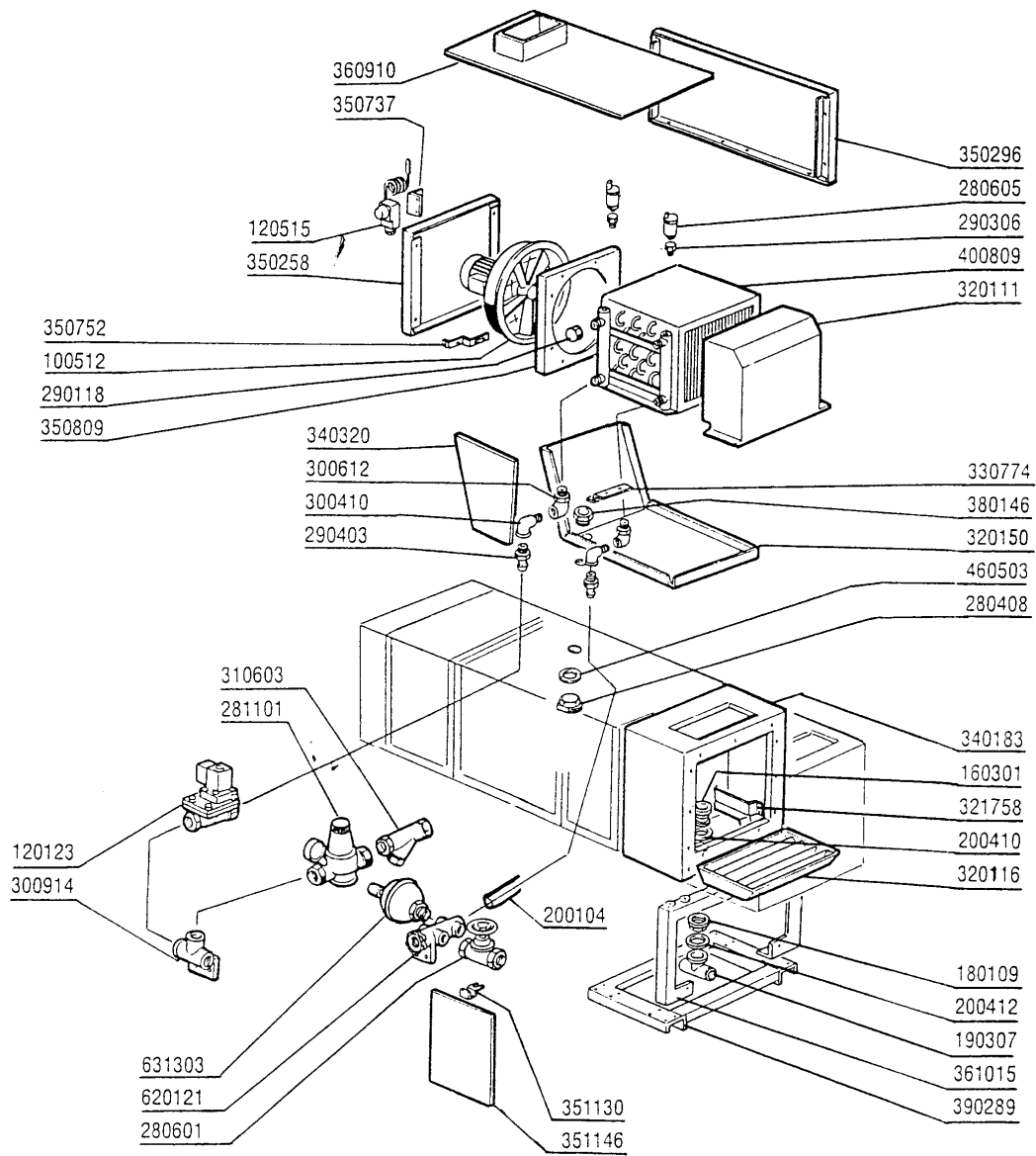
38 - Steam Blower Dryer



38 - Steam Blower Dryer

| CODE | DESCRIPTION |
|--------|--------------------------------|
| 100531 | FAN HP1,5-220/380/415-BPN9 |
| 120166 | STEAM SOLEN.VALVE 1" 24V-50 |
| 150033 | CONNEC.F.SOLEN.VALVE 182.09.N |
| 190915 | FIXING PLATE |
| 310702 | STEAM TRAP 1/2" MK 25/3 |
| 320134 | DRYER DEFLECTOR |
| 320148 | DEFLECTOR F. DRYER |
| 320347 | COVER FOR DRYER |
| 320669 | FIXING PLATE |
| 331441 | BRACKET FOR DRYING VENTILATOR |
| 331459 | BRACKET FOR DRYING VENTILATOR |
| 341327 | FAN SUPPORT |
| 341338 | RIGHT PANEL |
| 341339 | LEFT PANEL |
| 360911 | PANEL |
| 370413 | DRYING MODULE |
| 400815 | BATTERY FOR DRYING (9-12KW) SE |
| 630322 | FAN IMPELLOR 1,5HP BPN9S |

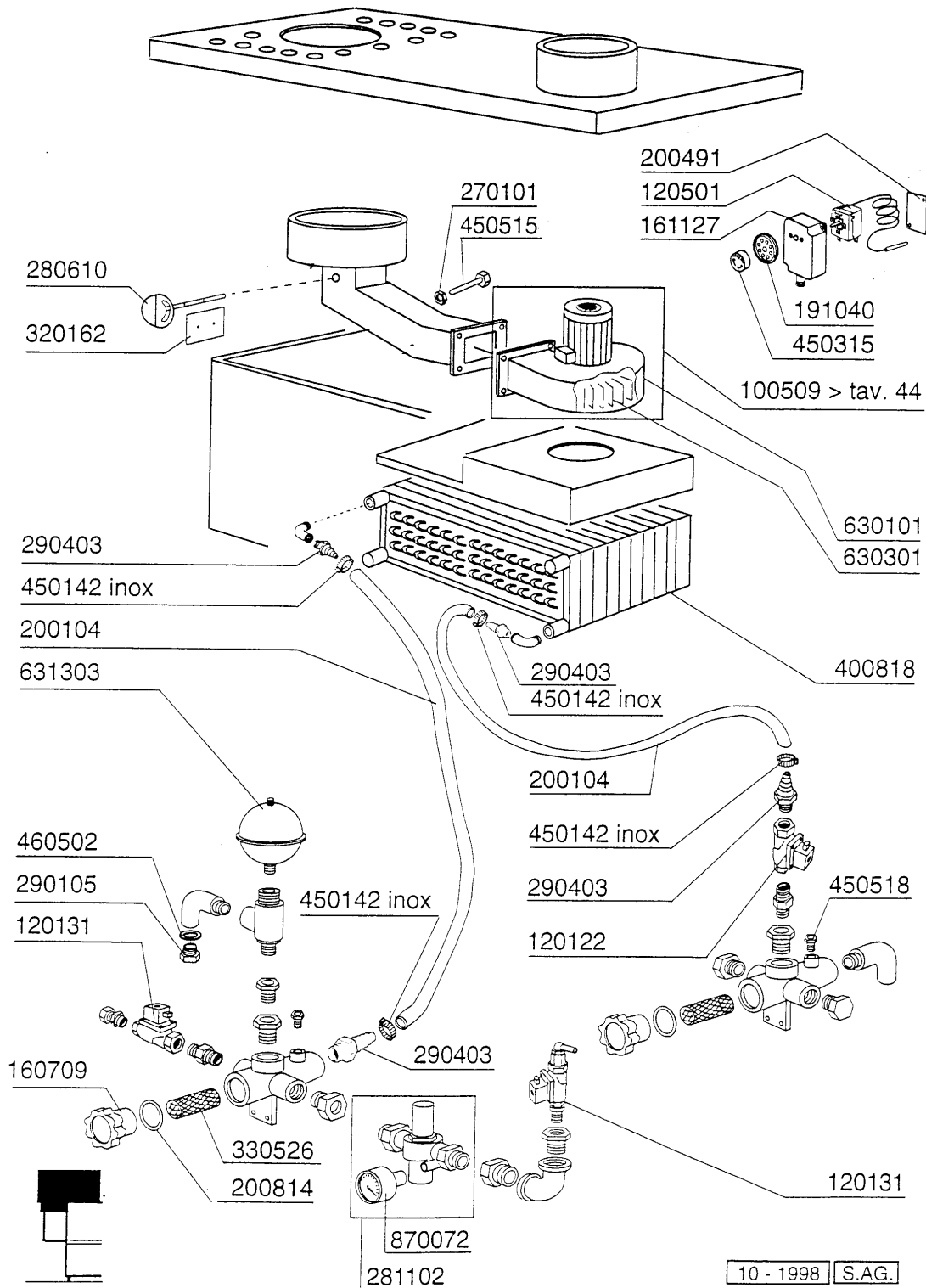
39 - Heat recovery unit



39 - Heat recovery unit

| CODE | DESCRIPTION |
|--------|--------------------------------|
| 100512 | FAN HP 0,75 400EVH/4/27 |
| 120123 | SOLENOID VALVE L180B12 1" V.24 |
| 120515 | THERMOSTAT 0-90°C |
| 160301 | DRAIN OUTLET 1"1/2 C-S-N |
| 180109 | LOCK NUT 1 1/2" |
| 190307 | SPECIAL TEE GRAU MPL. |
| 200104 | DISCHARGE HOSE 20X30 |
| 200410 | DRAIN OUTL.WASH.1 1/2"65X47X2 |
| 200412 | GASKET DRAIN 11/2" 45X33X3 |
| 280408 | NUT |
| 280601 | GATE VALVE 1/2" BRASS |
| 280605 | AUTOMATIC AIR VENT 1/4" GAS |
| 281101 | 3/4" ADJ VALVE C/W GAUGE |
| 290118 | BRASS TE PLUG 3/4" |
| 290306 | CONNECTION 1/4 MF |
| 290403 | NIPPLE M.3/4" BRASS |
| 300410 | ELL 3/4" MF |
| 300612 | UNION ELL 3/4" F-F |
| 300914 | TEE 1" |
| 310603 | STRAINERS JU 1" MOD.45 |
| 320111 | DEFLECTOR F. HRU |
| 320116 | DEFLECTOR |
| 320150 | BREAKER |
| 321758 | GUIDE |
| 330774 | BRACKET |
| 340183 | HOOD |
| 340320 | PANEL |
| 350258 | PANEL |
| 350296 | PANEL |
| 350737 | BRACKET FOR CLOSED THERMOSTATS |
| 350752 | BRACKET |
| 350809 | SUPPORT |
| 351130 | BRACKET FOR PANEL S-SE |
| 351146 | FRONT/BACK PANEL HEAT RECOVERY |
| 360910 | COVER |
| 361015 | FRAME |
| 380146 | CONDENSER UNIT DRAIN CONNECTIO |
| 390289 | FRAME |
| 400809 | CONDENSER BATTERY ENERGY REC. |
| 460503 | SEALING WASHER 38X27X2(3/4) |
| 620121 | TWIN SOLENOID VALVE MANIFOLD |
| 631303 | HYDRAULIC AIR VESSEL FOR HEAT |

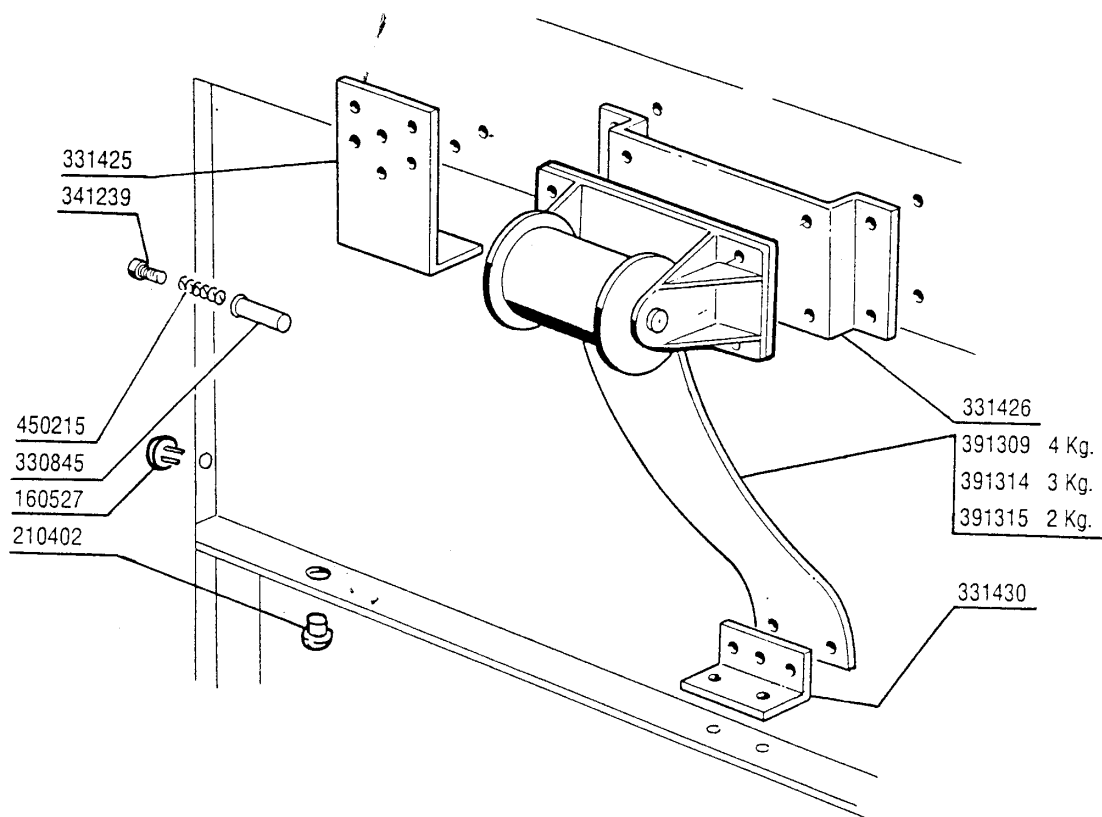
40 - Heat Recovery Unit Compact



40 - Heat Recovery Unit Compact

| CODE | DESCRIPTION |
|--------|--------------------------------|
| 100509 | FAN 0,75HP 220/415 V164/2 |
| 120122 | SOLENOID VALVE 3/4 24V L180Q17 |
| 120131 | SOLEN. L182Q31-ZB10A 1/2"24V |
| 120501 | THERMOSTAT 30/90°C |
| 160709 | KNOB OF MANIFOLD F. SOLEN. VAL |
| 161127 | BOX FOR THERMOSTAT |
| 191040 | FRAME F.THERMOSTAT KNOB |
| 200104 | DISCHARGE HOSE 20X30 |
| 200491 | BACK GASKET OF THERMOSTAT BOX |
| 200814 | O-RING 34,52X41,58X3,53 |
| 270101 | HEXAGON LOCK NUT 1/2" |
| 280610 | VALVE FOR HEAT RECOVERY UNIT |
| 281102 | 1/2" ADJ VALVE C/W GAUGE TYPE |
| 290105 | BRASS-TE-PLUG 1/2" |
| 290403 | NIPPLE M.3/4" BRASS |
| 320162 | BREAKER |
| 330526 | FILTERS 22X28 SOLENOID V.MANIF |
| 400818 | BATTERY FOR HRU (SMALL) |
| 450142 | CLAMP FE ZN. 22-32 H=12,2 |
| 450315 | KNOB F. THERMOSTAT 90° |
| 450515 | STAINL.ST.SHIELD FOR 1 THERMOS |
| 450518 | THERMOSTAT SHIELD FOR SNL |
| 460502 | GASKET 30X21X2 |
| 630101 | ZINC VOLUTE CB62 |
| 630301 | FAN IMPELLOR FOR 100509 |
| 631303 | HYDRAULIC AIR VESSEL FOR HEAT |
| 870072 | PRESSURE CAUGE 0-4 ATM |

41 - Door counterbalance



41 - Door counterbalance

| CODE | DESCRIPTION |
|-------------|--------------------------------|
| 160527 | PLUG 14,5X2X8 |
| 210402 | PAD FOR DOOR 15-149 |
| 330845 | BUSH FOR DOOR FRICTION RAIL N |
| 331425 | DOOR CATCH BRACKET SE |
| 331426 | BRACKET F. HOOD SPRING FIXING |
| 331430 | BRACKET FOR DOOR SPRING |
| 341239 | PIN F.DOOR FRICTION RAIL N S |
| 391309 | DOOR SPRING 4KG - 40MM |
| 391314 | DOOR SPRING 3KG - 40MM |
| 391315 | DOOR SPRING 2,5KG - 40MM |
| 450215 | SPRING F.SWITCH ROD R/B41-11-2 |

42 - Heating Elements

| MOD. | Prelavaggio - Prelavage Prewash - Vorwaschzone Prelavado 600 | Prelavaggio - Prelavage Prewash - Vorwaschzone Prelavado 900 | 1° lavaggio - 1° lavage 1° wash - 1. Waschzone 1° lavado 900 | 2° lavaggio - 2° lavage 2° wash - 2. Waschzone 2° lavado 600 | 2° lavaggio - 2° lavage 2° wash - 2. Waschzone 2° lavado 900 | Ecorinse | Risciacquo - Rincage Rinse - Nachspülung Aclarado |
|------------|---|---|---|---|---|------------|---|
| ACR 145 | | | 2 x 6 kw | | | 1 x 4,2 kw | 2 x 8 kw |
| ACR 145 AF | | | 2 x 6 kw | | | 1 x 4,2 kw | 3 x 10 kw |
| ACR 205 | | | 2 x 6 kw | | | 1 x 5 kw | 2 x 9 kw |
| ACR 205 AF | | | 2 x 6 kw | | | 1 x 5 kw | 3 x 9 kw 1 x 6 kw * |
| ACR 205 RC | | | 2 x 6 kw | | | 1 x 5 kw | 2 x 6 kw 1 x 9 kw |
| ACR 225 | | 2 x 5 kw | 2 x 6 kw | | | 1 x 6 kw | 2 x 6 kw 1 x 8 kw |
| ACR 225 AF | | 2 x 5 kw | 2 x 6 kw | | | 1 x 6 kw | 3 x 10 kw 1 x 6 kw * |
| ACR 225 RC | | 2 x 5 kw | 2 x 6 kw | | | 1 x 6 kw | 2 x 6 kw 1 x 9 kw |
| ACR 245 | | | 2 x 5 kw | 2 x 6 kw | | 1 x 6 kw | 2 x 6 kw 1 x 8 kw |
| ACR 245 AF | | | 2 x 5 kw | 2 x 6 kw | | 1 x 6 kw | 3 x 10 kw 1 x 5 kw * |
| ACR 245 RC | | | 2 x 5 kw | 2 x 6 kw | | 1 x 6 kw | 1 x 6 kw 1 x 8 kw 1 x 9 kw |
| ACR 260 | | | 2 x 5 kw | | 2 x 6 kw | 1 x 6 kw | 2 x 6 kw 1 x 9 kw |
| ACR 260 AF | | | 2 x 5 kw | | 2 x 6 kw | 1 x 6 kw | 3 x 9 kw 1 x 9 kw * |
| ACR 260 RC | | | 2 x 5 kw | | 2 x 6 kw | 1 x 6 kw | 1 x 6 kw 1 x 8 kw 1 x 9 kw |
| ACR 265 | | 2 x 5 kw | 2 x 5 kw | 2 x 6 kw | | 1 x 6 kw | 2 x 6 kw 1 x 9 kw |
| ACR 265 AF | | 2 x 5 kw | 2 x 5 kw | 2 x 6 kw | | 1 x 6 kw | 3 x 9 kw 1 x 9 kw * |
| ACR 265 RC | | 2 x 5 kw | 2 x 5 kw | 2 x 6 kw | | 1 x 6 kw | 1 x 6 kw 1 x 8 kw 1 x 9 kw |
| ACR 305 | | | | | 2 x 6 kw | 1 x 6 kw | 3 x 8 kw |
| ACR 305 AF | | 2 x 5 kw | 2 x 5 kw | | 2 x 6 kw | 1 x 6 kw | 3 x 10 kw 1 x 10 kw |
| ACR 305 RC | | | | | 2 x 6 kw | 1 x 6 kw | 3 x 9 kw |

| | 220/380 | 240/415 |
|--------|---------|---------|
| 4,2 kw | 110331 | 110331 |
| 5 kw | 110371 | 110354 |
| 6 kw | 110349 | 110383 |

| | 220/380 | 240/415 |
|-------|---------|---------|
| 8 kw | 110343 | 110365 |
| 9 kw | 110362 | 110343 |
| 10 kw | 110388 | 110381 |

- * 2° Boiler
- 2^{im} surchauffeur
- 2^m boiler
- 2. Boiler
- 2° boiler

42 - Heating Elements

| CODE | DESCRIPTION |
|--------|-------------------------------|
| 110331 | HEAT.ELEMENT 4200W 230/400V |
| 110343 | HEAT.ELEM. 8000W 220/380V |
| 110349 | HEAT.ELEMENT 6000W 230/400V |
| 110354 | HEAT.ELEMENT 6000W 255/440V |
| 110362 | HEAT.ELEMENT 9000W 220/380V |
| 110365 | HEAT.ELEM. 9000W 255/440V-8KW |
| 110371 | HEAT.ELEMENT 5000W 220/380V |
| 110381 | HEAT.ELEMENT 12500W 254/440V |
| 110383 | HEAT.ELEMENT 6KW 240/415 |
| 110388 | HEAT.ELEMENT 10000W 230/400V |

43 - Electrical parts for heatings elements

| kw | 220/240 V | | | | 380/415 V | | | |
|-------|-----------|--|----|---|-----------|--|----|---|
| | A | FUSIBILI FUSIBLE FUZE SCHMELZSICHERUNG FUSIBLE | A | TALERUTTORE CONTACTEUR CONTACTOR SCHALTSCHÜTZ CONTACTOR | A | FUSIBILI FUSIBLE FUZE SCHMELZSICHERUNG FUSIBLE | A | TALERUTTORE CONTACTEUR CONTACTOR SCHALTSCHÜTZ CONTACTOR |
| 3,00 | 12 | 130246 | 9 | 120428 | 8 | 130245 | 9 | 120428 |
| 4,00 | 12 | 130246 | 9 | 120428 | 8 | 130245 | 9 | 120428 |
| 4,20 | 12 | 130246 | 9 | 120428 | 8 | 130245 | 9 | 120428 |
| 5,00 | 16 | 130247 | 12 | 120429 | 12 | 130246 | 9 | 120428 |
| 6,00 | 20 | 130248 | 12 | 120429 | 12 | 130246 | 9 | 120428 |
| 8,00 | 32 | 130237 | 25 | 120437 | 16 | 130247 | 12 | 120429 |
| 9,00 | 32 | 130237 | 25 | 120437 | 16 | 130247 | 16 | 120430 |
| 10,00 | 32 | 130237 | 25 | 120437 | 20 | 130248 | 16 | 120430 |
| 12,00 | 40 | 130238 | 40 | 120431 | 25 | 130236 | 16 | 120430 |
| 12,50 | 40 | 130238 | 40 | 120431 | 25 | 130236 | 25 | 120437 |
| 14,00 | 40 | 130238 | 40 | 120431 | 32 | 130237 | 25 | 120437 |
| 15,00 | 50 | 130257 | 40 | 120431 | 32 | 130237 | 25 | 120437 |
| 16,00 | 50 | 130257 | 40 | 120431 | 32 | 130237 | 25 | 120437 |
| 17,00 | 50 | 130257 | 40 | 120431 | 32 | 130237 | 40 | 120431 |
| 18,00 | 63 | 130239 | 63 | 120431 | 32 | 130237 | 40 | 120431 |
| 20,00 | 63 | 130239 | 63 | 120433 | 40 | 130238 | 40 | 120431 |
| 21,00 | 63 | 130239 | 63 | 120433 | 40 | 130238 | 40 | 120431 |
| 22,00 | 63 | 130239 | 63 | 120433 | 40 | 130238 | 40 | 120431 |
| 23,00 | 80 | 130240 | 63 | 120433 | 40 | 130238 | 40 | 120431 |
| 24,00 | 80 | 130240 | 63 | 120433 | 50 | 130257 | 40 | 120431 |
| 25,00 | 80 | 130240 | 63 | 120433 | 50 | 130257 | 40 | 120431 |
| 26,00 | 80 | 130240 | 80 | 120441 | 50 | 130257 | 40 | 120431 |
| 27,00 | 80 | 130240 | 80 | 120441 | 50 | 130257 | 40 | 120431 |
| 28,00 | 80 | 130240 | 80 | 120441 | 50 | 130257 | 40 | 120431 |
| 29,00 | 80 | 130240 | 80 | 120441 | 50 | 130257 | 40 | 120431 |
| 30,00 | 80 | 130240 | 80 | 120441 | 50 | 130257 | 40 | 120431 |

ASCIUGATURA - SECHAGE - DRYER
TROCKNUNG - SECADO

| kw | 220/240 V | | | | 380/415 V | | | |
|----|-----------|--|----|---|-----------|--|----|---|
| | A | FUSIBILI FUSIBLE FUZE SCHMELZSICHERUNG FUSIBLE | A | TALERUTTORE CONTACTEUR CONTACTOR SCHALTSCHÜTZ CONTACTOR | A | FUSIBILI FUSIBLE FUZE SCHMELZSICHERUNG FUSIBLE | A | TALERUTTORE CONTACTEUR CONTACTOR SCHALTSCHÜTZ CONTACTOR |
| 6 | 20 | 130248 | 12 | 120429 | 12 | 130246 | 12 | 120429 |
| 9 | 25 | 130236 | 25 | 120437 | 16 | 130247 | 25 | 120437 |
| 12 | 40 | 130238 | 40 | 120431 | 25 | 130236 | 25 | 120437 |

43 - Electrical parts for heatings elements

| CODE | DESCRIPTION |
|--------|-----------------------------|
| 120428 | CONTACTOR 9A 24V 50HZ |
| 120429 | CONTACTOR 12A 24V 50HZ |
| 120430 | CONTACTOR 17A 24V 50HZ |
| 120431 | CONTACTOR 40A 24V 50HZ |
| 120433 | CONTACTOR 63A 24V 50HZ |
| 120437 | CONTACTOR 25A 24V 50HZ |
| 120441 | CONTACTOR 80AMP 24V 50HZ |
| 130236 | FUSE 14X51 25A GF14325 |
| 130237 | FUSE 14X51 32A GL14332 |
| 130238 | FUSE 14X51 40A GF 14340 |
| 130239 | FUSE 22X58 63A GF15363 |
| 130240 | FUSE 22X58 80A GF15380 |
| 130245 | FUSE 10.3X38 8A GF13308 |
| 130246 | FUSE 10.3X38 12A GF13312 |
| 130247 | FUSE 10.3X38 16A GF13316 |
| 130248 | FUSE 20A-10,3X38 13320 G.F. |
| 130257 | FUSE 50A 14X51 GF14350 |

44 - Electrical parts for pumps

| 220/240 V | | | | | | | | 380/415 V | | | | | | | |
|---|------|---|--------|---|--------|--|--------|---|--------|---|--------|--|--------|--|--|
| POMPA POMPE PUMPE PUMPE BOMBA | | FUSIBILI FUSIBLE FUUSE SCHMELZSICHERUNG FUSIBLE | | TELERUTTORE CONTACTEUR CONTACTOR SCHALTSCHÜTZ CONTACTOR | | TERMICA TERMIQUE OVERLOAD RELAY THERMOAUSLÖSER TERMICO | | FUSIBILI FUSIBLE FUUSE SCHMELZSICHERUNG FUSIBLE | | TELERUTTORE CONTACTEUR CONTACTOR SCHALTSCHÜTZ CONTACTOR | | TERMICA TERMIQUE OVERLOAD RELAY THERMOAUSLÖSER TERMICO | | | |
| HP | kw | | | | | | | | | | | | | | |
| 0,10 | 0,08 | 4 | 130230 | 9 | 120428 | 0,63 - 1,00 | 120820 | 4 | 130230 | 9 | 120428 | 0,40 - 0,63 | 120830 | | |
| 0,12 | 0,09 | 4 | 130230 | 9 | 120428 | 0,63 - 1,00 | 120820 | 4 | 130230 | 9 | 120428 | 0,40 - 0,63 | 120830 | | |
| 0,15 | 0,11 | 4 | 130230 | 9 | 120428 | 0,63 - 1,00 | 120820 | 4 | 130230 | 9 | 120428 | 0,63 - 1,00 | 120820 | | |
| 0,17 | 0,12 | 4 | 130230 | 9 | 120428 | 1,00 - 1,60 | 120821 | 4 | 130230 | 9 | 120428 | 0,63 - 1,00 | 120820 | | |
| 0,2 | 0,15 | 4 | 130230 | 9 | 120428 | 1,00 - 1,60 | 120821 | 4 | 130230 | 9 | 120428 | 0,63 - 1,00 | 120820 | | |
| 0,22 | 0,17 | 4 | 130230 | 9 | 120428 | 1,00 - 1,60 | 120821 | 4 | 130230 | 9 | 120428 | 0,63 - 1,00 | 120820 | | |
| 0,25 | 0,18 | 4 | 130230 | 9 | 120428 | 1,60 - 2,50 | 120822 | 4 | 130230 | 9 | 120428 | 1,00 - 1,60 | 120821 | | |
| 0,4 | 0,30 | 4 | 130230 | 9 | 120428 | 1,60 - 2,50 | 120823 | 4 | 130230 | 9 | 120428 | 1,00 - 1,60 | 120821 | | |
| 0,5 | 0,37 | 4 | 130230 | 9 | 120428 | 1,60 - 2,50 | 120823 | 4 | 130230 | 9 | 120428 | 1,00 - 1,60 | 120821 | | |
| 0,6 | 0,44 | 4 | 130230 | 9 | 120428 | 2,50 - 4,00 | 120823 | 4 | 130230 | 9 | 120428 | 1,00 - 1,60 | 120821 | | |
| 0,75 | 0,55 | 4 | 130230 | 9 | 120428 | 2,50 - 4,00 | 120823 | 4 | 130230 | 9 | 120428 | 1,60 - 2,50 | 120822 | | |
| 1 | 0,75 | 4 | 130230 | 9 | 120428 | 2,50 - 4,00 | 120820 | 4 | 130230 | 9 | 120428 | 1,60 - 2,50 | 120822 | | |
| 1,01 | 0,76 | 4 | 130230 | 9 | 120428 | 2,50 - 4,00 | 120824 | 4 | 130230 | 9 | 120428 | 1,60 - 2,50 | 120822 | | |
| 1,4 | 1,10 | 8 | 130232 | 9 | 120428 | 4,00 - 6,00 | 120825 | 6 | 130231 | 9 | 120428 | 2,50 - 4,00 | 120823 | | |
| 1,5 | 1,11 | 8 | 130232 | 9 | 120428 | 4,00 - 6,00 | 120825 | 6 | 130231 | 9 | 120428 | 4,00 - 6,00 | 120823 | | |
| 2 | 1,50 | 8 | 130232 | 9 | 120428 | 5,50 - 8,00 | 120828 | 6 | 130231 | 9 | 120428 | 4,00 - 6,00 | 120823 | | |
| 2,7 | 2,00 | 8 | 130232 | 9 | 120428 | 5,50 - 8,00 | 120828 | 6 | 130231 | 9 | 120428 | 4,00 - 6,00 | 120823 | | |
| 3 | 2,20 | 12 | 130234 | 9 | 120428 | 7,00 - 10,00 | 120826 | 6 | 130231 | 9 | 120428 | 4,00 - 6,00 | 120823 | | |
| 3,2 | 2,40 | 12 | 130234 | 12 | 120429 | 7,00 - 10,00 | 120826 | 6 | 130231 | 9 | 120428 | 4,00 - 6,00 | 120823 | | |
| 3,5 | 2,60 | 12 | 130234 | 12 | 120429 | 10,00 - 13,00 | 120826 | 6 | 130231 | 9 | 120428 | 5,50 - 8,00 | 120825 | | |
| 3,6 | 2,70 | 16 | 130235 | 12 | 120429 | 10,00 - 13,00 | 120826 | 8 | 130232 | 9 | 120428 | 5,50 - 8,00 | 120825 | | |
| 3,70 | 2,72 | 16 | 130235 | 12 | 120429 | 10,00 - 13,00 | 120826 | 6 | 130231 | 9 | 120428 | 5,50 - 8,00 | 120825 | | |
| 4,0 | 3,00 | 16 | 130235 | 16 | 120430 | 10,00 - 13,00 | 120826 | 12 | 130234 | 12 | 120429 | 5,50 - 8,00 | 120825 | | |
| 5,3 | 4,00 | 20 | 130235 | 18 | | 13,00 - 18,00 | | 16 | 130235 | 12 | 120429 | 7,00 - 10,00 | 120828 | | |
| | | | | | | | | | | | | | | | |
| | | | | | | | | | | | | | | | |

44 - Electrical parts for pumps

| CODE | DESCRIPTION |
|--------|------------------------------|
| 120428 | CONTACTOR 9A 24V 50HZ |
| 120429 | CONTACTOR 12A 24V 50HZ |
| 120430 | CONTACTOR 17A 24V 50HZ |
| 120820 | OVERLOAD RELAY 0,63-1A |
| 120821 | OVERLOAD RELAY 1/1,6A |
| 120822 | OVERLOAD RELAY 1,6-2,5A |
| 120823 | OVERLOAD RELAY 2.5/4 A |
| 120824 | OVERLOAD RELAY 4/6 A |
| 120825 | OVERLOAD RELAY 5,5/8 A |
| 120826 | OVERLOAD RELAY 10/13A |
| 120828 | OVERLOAD RELAY 7/10 A |
| 120830 | OVERLOAD RELAY 0,40 - 0,63 A |
| 130230 | FUSE 10,3X38 4A AM13004 |
| 130231 | FUSE 10,3X38 6A AM13006 |
| 130232 | FUSE 10.3X38 8A AM13008 |
| 130234 | FUSE 10.3X38 12A AM13012 |
| 130235 | FUSE 10.3X38 16A AM13016 |